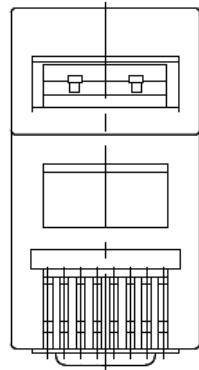
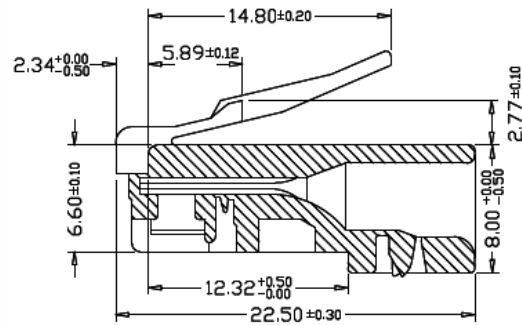


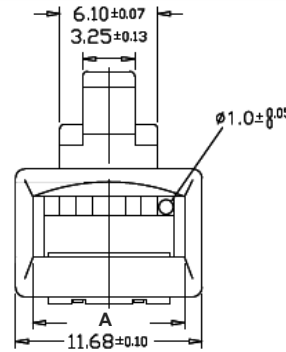
REVISIONS				
ZONE	REV	DESCRIPTION	DATE	APPROVED



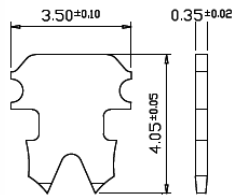
8P Top view



10P & 8P Side view



10P & 8P Rear view

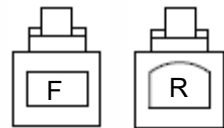


Contact type

A	
8P 8C	9.50±0.10

4. Code Egress

- F: Flat cable
- R: Round cable



Specification

Housing Polycarbonate (PC), UL94V-2, transparent
 Contact Phosphor Bronze, 2 pronged for stranded wire

No. of Positions: 8
 No. of Contacts: 8
 Contact Plating: Gold Flash

GENERAL TOLERANCES UNLESS OTHERWISE SPECIFIED
 LINEAR ±0.25
 0.0 ±0.15
 0.00 ±0.10
 ANGULAR ±1°/30'
 ALL DIMENSIONS IN mm
 THIRD ANGLE PROJECTION

UNLESS OTHERWISE SPECIFIED 1. ALL DIMENSIONS ARE IN MM 2. DIMENSIONS ARE TYPICAL				THIS DRAWING IS THE PROPERTY OF MBS COMPONENTS LTD AND SHOULD NOT BE REPRODUCED WITHOUT MBS COMPONENTS WRITTEN PERMISSION	
DRAWN HLM		PART NUMBER: RJ458P8CF		DESCRIPTION: Plug, 8P8C U/S, Flat	
CHECKED DCC	SCALE: 1:1	DATE: 2020-09-11	DWG NO. 900-1221	REV 0	
ISSUED 2020-09-11	SCALE NTS			SHEET: 1	