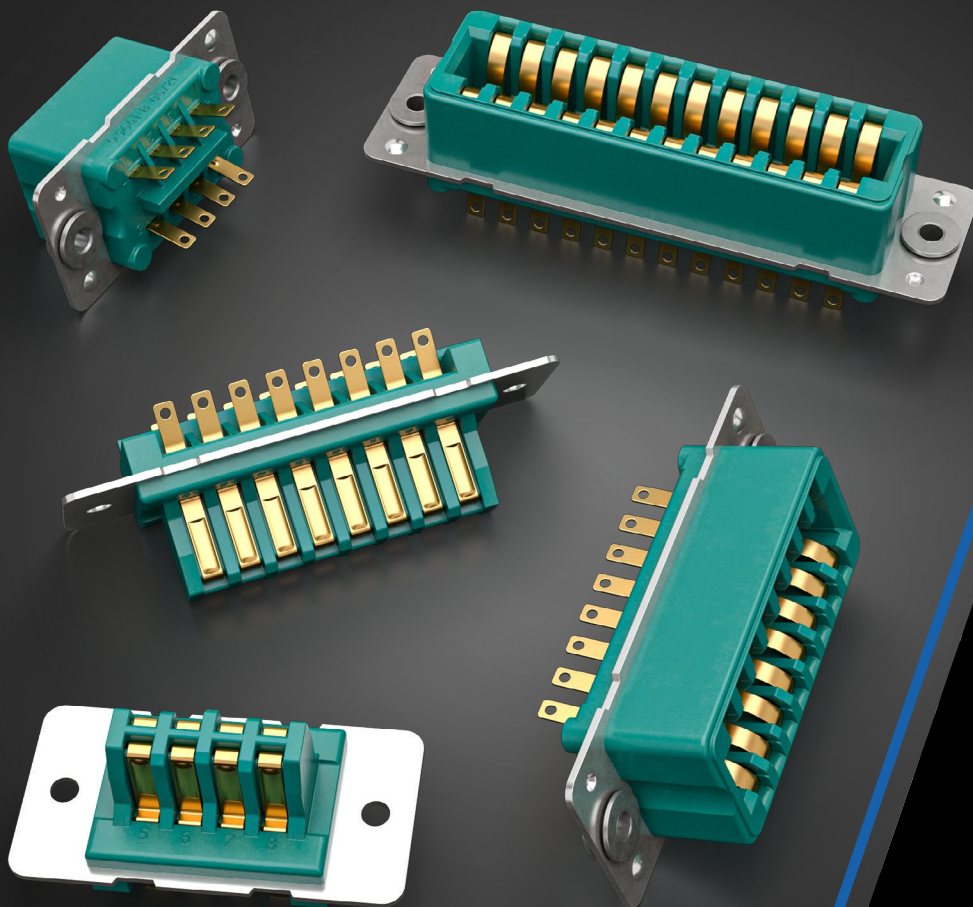


GREEN RANGE CONNECTORS

Heavy duty rectangular rack and panel connector system, particularly suited for use in rugged conditions.

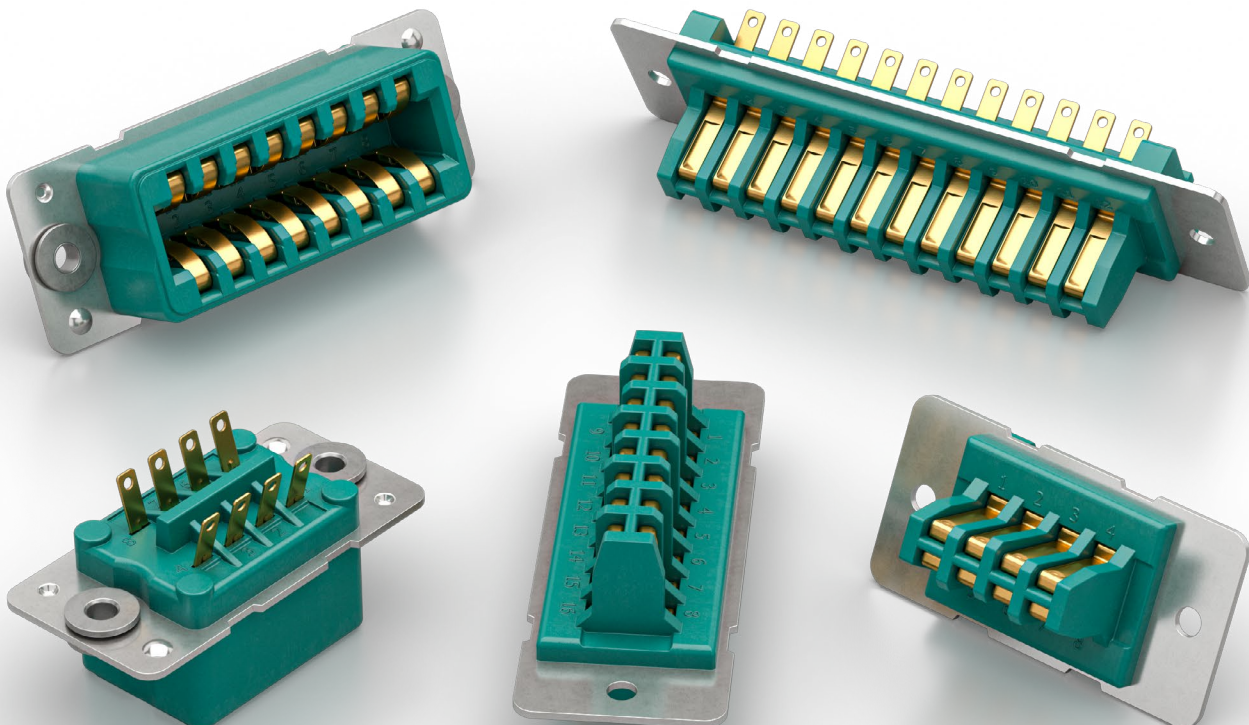


General information

This heavy duty rectangular rack and panel connector system is particularly suited for use in rugged conditions. Designed as a line to line or panel connector, they feature a low insertion force which means the plug and socket will self-align. As a result the Green Range connectors are ideally suited for inaccessible applications. These connectors are intermateable with and equivalent to ITW McMurdo Red Range Connectors.

Features and benefits:

- Rugged construction
- 180° polarised
- Floating bushes to assist alignment
- Excellent current carrying characteristics
- Available in four sizes with 8, 16, 24 and 32 contacts
- 5 A current rating
- Working voltage 800 V DC or AC peak
- UL-94 V-0 rated flame-retardant



Characteristics

Materials

Insulators	Diallyl-Phthalate (DAP), UL-94 V-0 rated flame-retardant
Contact	Copper alloy plated hard acid gold
Mounting plates	Stainless Steel
Latching screws and bushes	Mild steel bright nickel plate

Electrical

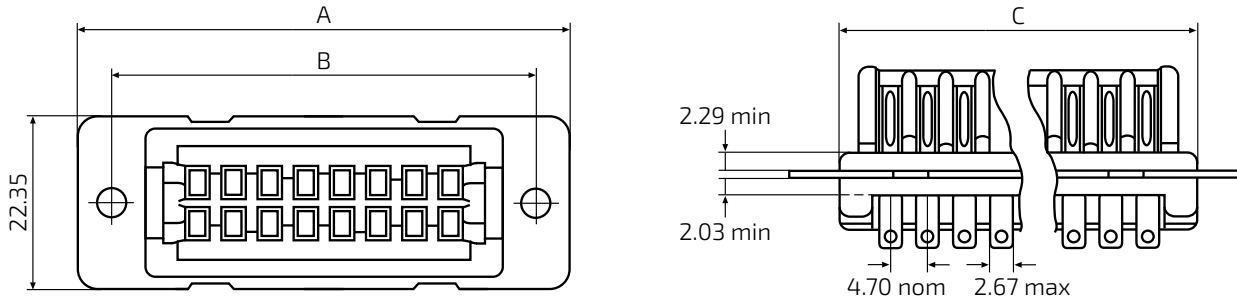
Maximum current rating	5 A all contacts simultaneously at 100°C
Working voltage DC or AC peak	800 V
Proof voltage DC or AC peak	3.5 kV
Contact resistance initially	5 mΩ max
Contact resistance after conditioning	10 mΩ max
Insulation resistance initially	10 ⁵ MΩ min
Insulation resistance after conditioning	10 ⁴ MΩ min

Mechanical

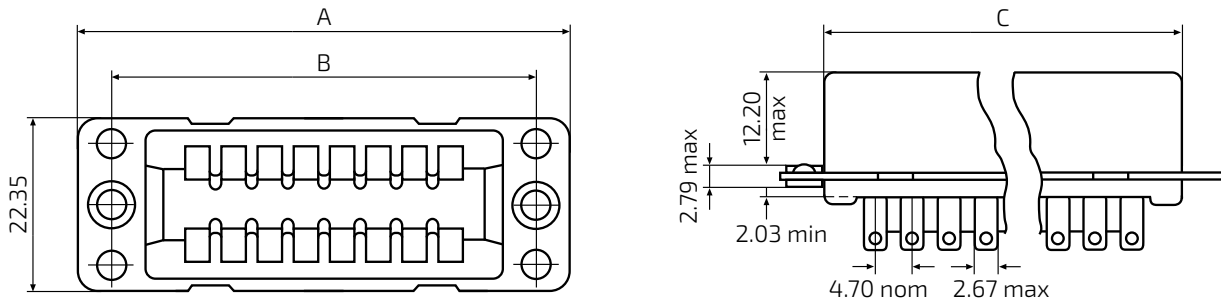
Mechanical Operations	500
Insertion and withdrawal force per contact pair	2.25 N max / 0.75 N min
Climatic category	55/125/56

Dimensions

Plug

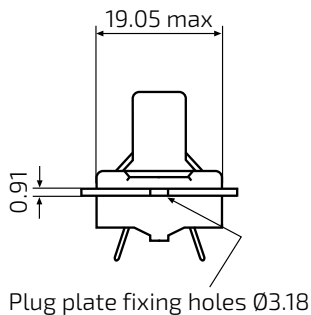


Socket

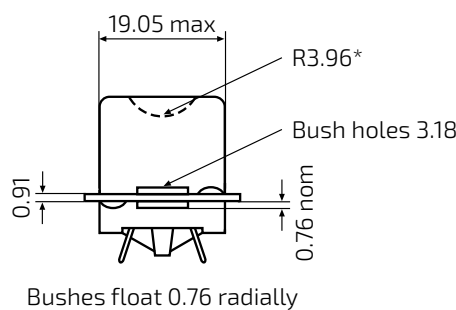


Number of ways	A max	B nom	C max
8	43.94	34.92	26.42
16	62.99	53.95	45.47
24	82.04	73.02	64.52
32	101.09	92.07	83.57

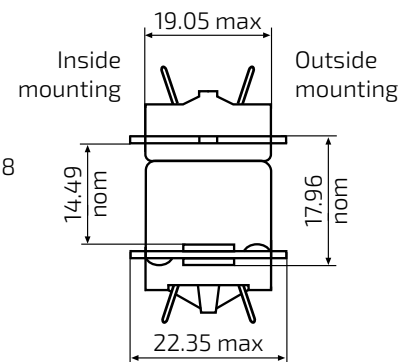
Plug solder termination



Socket solder termination



Plug and socket mated



Note: All dimensions are in millimeters (mm).

* - Ends are relieved on 32 way sockets only.

Ordering Information

Part no example:

IN2G P 8 DP

Range prefix

Contact gender

P – Plug / Male
S – Socket / Female

Moulding material

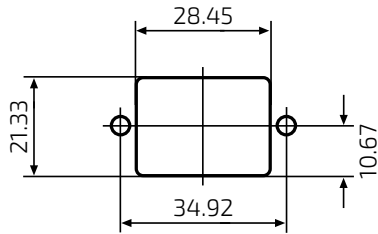
DP – Dialyl-Phthalate

Number of ways

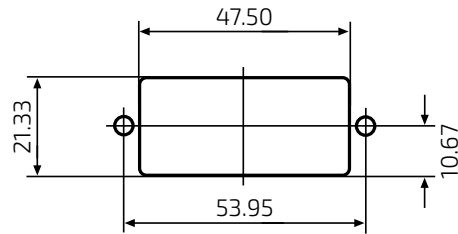
8
16
24
32

Mounting Details

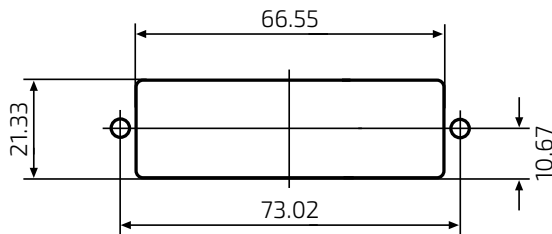
8 way



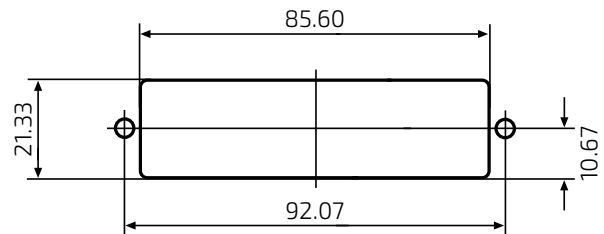
16 way



24 way



32 way



Note: All dimensions are in millimeters (mm).

MBS

THE MBS GROUP



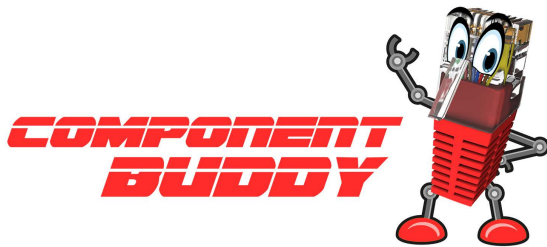
Tel: +44 (0) 1536 263411

Sales Email: sales@mbs-components.com



Tel: +44 (0) 1962 773004

Sales Email: sales@in2connect.uk.com



Tel: +44 (0) 1536 263411

Sales Email: buddy@componentbuddy.com

Address:

Unit L Tyson Courtyard
Weldon South Industrial Estate
Corby
Northants, NN18 8AZ
United Kingdom