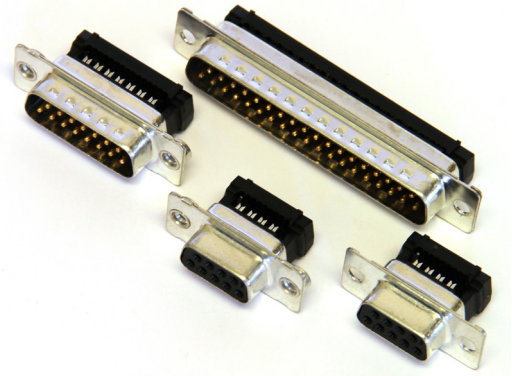


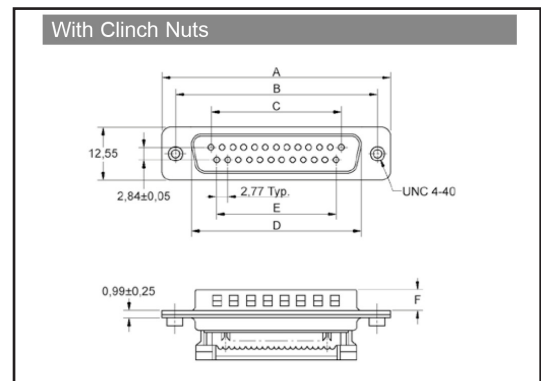
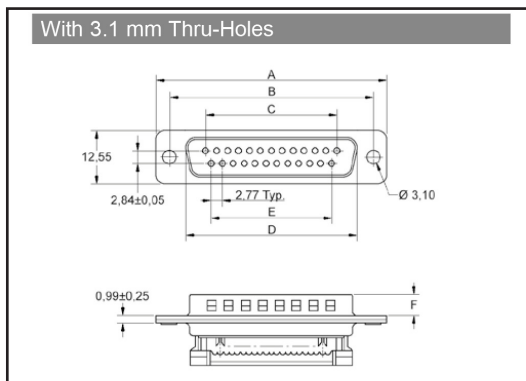
IDC, SUB D CONNECTORS, HIGH QUALITY CONTACT

TECHNICAL SPECIFICATIONS

Insulator:	Glass filled Polyester, Black UL94 V-0
Shell:	Stamped Steel, Tin Plated
Contact pins:	Copper Alloy
Contact Plating:	1,5 micron Tin and 0,2 micron Gold
Working current:	1,5 A
Test voltage:	1000 V
Insulator resistance:	500MΩ min
Contact resistance:	less than 10mΩ
Operating temperature:	-55°C to +125°C



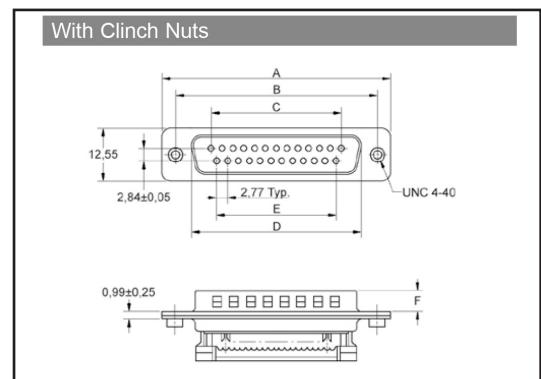
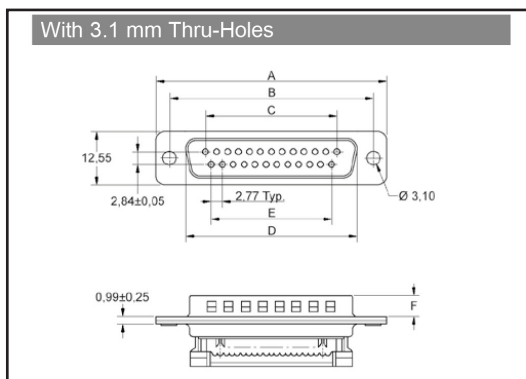
MALE



Size	A	B	C	D	E	F
9-way	30,81	24,99	11,08	16,92	8,31	5,90
15-way	39,14	33,32	19,39	25,25	16,62	5,90
25-way	53,04	47,04	33,24	38,96	30,47	5,90
37-way	69,36	63,50	49,86	55,25	47,09	5,90

Plug Size	3.1mm Thru-Holes	Clinch Nuts
9-way	10551	10567
15-way	10552	10568
25-way	10553	10569
37-way	10554	10570

FEMALE



Size	A	B	C	D	E	F
9-way	30,81	24,99	11,08	16,33	8,31	6,23
15-way	39,14	33,32	19,39	24,66	16,62	6,23
25-way	53,04	47,04	33,24	38,38	30,47	6,23
37-way	69,36	63,50	49,86	54,84	47,09	6,23

Socket Size	3.1mm Thru-Holes	Clinch Nuts
9-way	10575	10591
15-way	10576	10592
25-way	10577	10593
37-way	10578	10594

Size	Strain Relief Bars
9-way	10175
15-way	10176
25-way	10177
37-way	10178



Strain Relief Bar



Standard IDC



With Strain Relief Bar