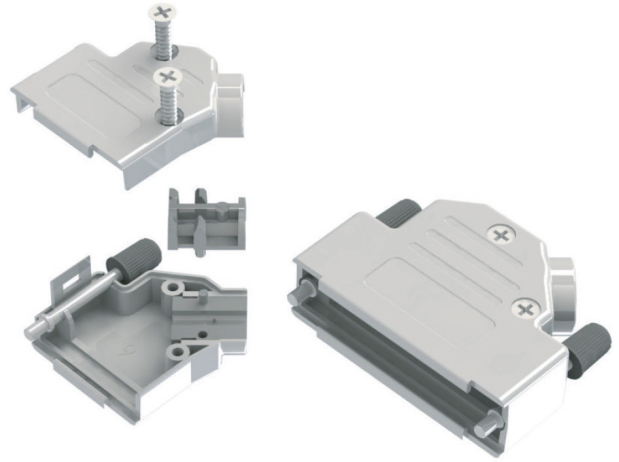


METPLAS SCREW TOGETHER 45° D HOOD + D-SUB SOLDER MALE

TECHNICAL SPECIFICATIONS

D-SUB 45° HOOD, METPLAS SCREW TOGETHER, BLACK

Material:	ABS Plastic, Ni-plated
Temperature range:	-40°C to +110°C
Cable strain relief:	Polycarbonate, PC UL94 V-0
Cable diameter:	3.0 - 13.0 mm
Locking screws:	Long jackscrews with moulded top for colour coding
Cable outlet:	Angled
Attenuation factor:	>40 dB between 30MHz and 1 GHz



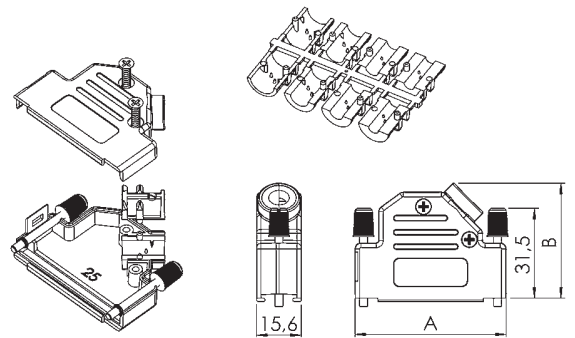
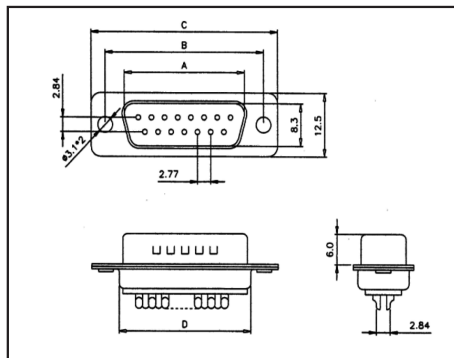
MALE D-SUB CONNECTOR SOLDER CUP, STAMPED

Insulator:	Glass filled Polyester, Black UL94 V-0
Shell:	Stamped Steel, Tin Plated
Contact Pins:	Copper Alloy
Stamped and Formed Pins:	Class 3, 100 inserts min. (DB)
Contact Plating:	Selective Gold over Nickel
Contact resistance rating:	2 Amps max
Operating temperature:	10mΩ max
Withstanding voltage:	-55°C to +105°C
Insulator resistance:	1000V AC for 1 minute 1000MΩ min



MALE D-SUB CONNECTOR SOLDER CUP, MACHINED

Insulator:	Glass filled Polyester, Black UL94 V-0
Shell:	Stamped Steel, Tin Plated
Contact pins:	Copper Alloy
Machined pins:	Class 1, 500 inserts min. (DM)
Contact plating:	Selective Gold over Nickel
Contact current rating:	5 Amps max
Contact resistance:	25mΩ max
Operating temperature:	-55°C to +105°C
Withstanding voltage:	1000V AC for 1 minute
Insulator resistance:	1000MΩ min



Size	A	B	C	D
9-way	16,92	25,00	30,8	19,2
15-way	25,25	33,30	39,2	27,7
25-way	38,96	47,10	53,1	41,1
37-way	55,42	63,50	69,4	57,3

Size	Dim A	Dim B
9-way	31,0	36,2
15-way	39,3	40,2
25-way	53,0	40,2
37-way	69,5	40,2

HOOD + STAMPED ECONOMY CONTACT CONNECTOR

Size	Product Code
9-way	OS-DVPMK9-DB9P-K
15-way	OS-DVPMK15-DB15P-K
25-way	OS-DVPMK25-DB25P-K
37-way	OS-DVPMK37-DB37P-K

HOOD + MACHINED HIGH QUALITY CONTACT CONNECTOR

Size	Product Code
9-way	OS-DVPMK9-DM9P-K
15-way	OS-DVPMK15-DM15P-K
25-way	OS-DVPMK25-DM25P-K
37-way	OS-DVPMK37-DM37P-K