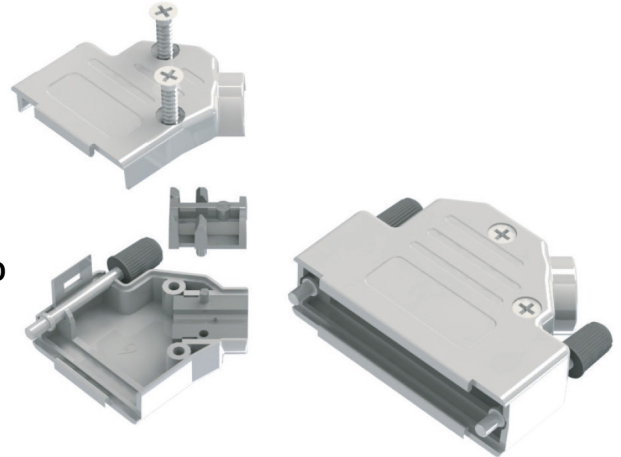


METPLAS SCREW TOGETHER 45° D HOOD + HIGH DENSITY SOLDER MALE

TECHNICAL SPECIFICATIONS

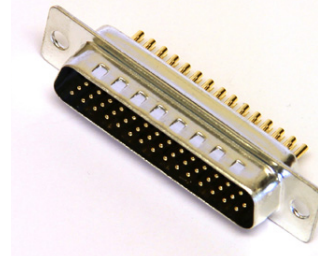
D-SUB 45° HOOD, METPLAS SCREW TOGETHER, BLACK

Material:	ABS Plastic, Ni-plated
Temperature range:	-40°C to +110°C
Cable strain relief:	Polycarbonate, PC UL94 V-0
Cable diameter:	3.0 - 13.0 mm
Locking screws:	Long jackscrews with moulded top for colour coding
Cable outlet:	Angled
Attenuation factor:	>40 dB between 30MHz and 1 GHz



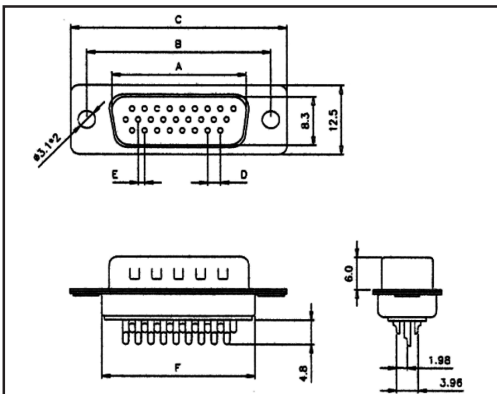
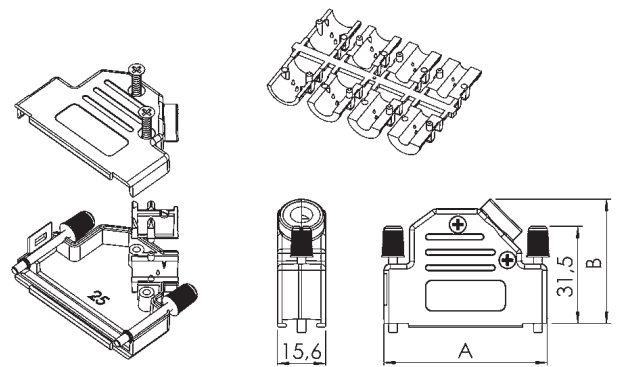
MALE HIGH DENSITY CONNECTOR SOLDER CUP, STAMPED

Insulator:	Glass filled Polyester, Black UL94 V-0
Shell:	Stamped Steel, Tin Plated
Contact pins:	Copper Alloy
Machined pins:	100 inserts min.
Contact plating:	Selective Gold over Nickel
Contact current rating:	2 Amps max
Contact resistance:	25mΩ max
Operating temperature:	-55°C to +105°C
Withstanding voltage:	500V AC for 1 minute
Insulator resistance:	500MΩ min (At 500V DC)



MALE HIGH DENSITY CONNECTOR SOLDER CUP, MACHINED

Insulator:	Glass filled Polyester, Black UL94 V-0
Shell:	Stamped Steel, Tin Plated
Contact pins:	Copper Alloy
Machined pins:	500 inserts min.
Contact plating:	Selective Gold over Nickel
Contact current rating:	5 Amps max
Contact resistance:	25mΩ max
Operating temperature:	-55°C to +105°C
Withstanding voltage:	1000V AC for 1 minute
Insulator resistance:	1000MΩ min (At 500V DC)



Size	A	B	C	D	E	F
HD15	16,92	25,00	30,8	2,29	1,14	19,2
HD26	25,25	33,30	39,2	2,29	1,14	27,7
HD44	38,96	47,10	53,1	2,29	1,14	41,1
HD62	55,42	63,50	69,4	2,41	1,20	57,3

Size	Dim A	Dim B
9-way	31,0	36,2
15-way	39,3	40,2
25-way	53,0	40,2
37-way	69,5	40,2

HOOD + STAMPED ECONOMY CONTACT CONNECTOR

Size	Product Code
9-way	OS-DVPMK9-HDB15P-K
15-way	OS-DVPMK15-HDB26P-K
25-way	OS-DVPMK25-HDB44P-K
37-way	OS-DVPMK37-HDB62P-K

HOOD + MACHINED HIGH QUALITY CONTACT CONNECTOR

Size	Product Code
9-way	OS-DVPMK9-HDM15P-K
15-way	OS-DVPMK15-HDM26P-K
25-way	OS-DVPMK25-HDM44P-K
37-way	OS-DVPMK37-HDM62P-K