

PLASTIC SCREW TOGETHER 45° D HOOD + HIGH DENSITY SOLDER FEMALE

TECHNICAL SPECIFICATIONS

D-SUB 45° HOOD, PLASTIC SCREW TOGETHER, BLACK

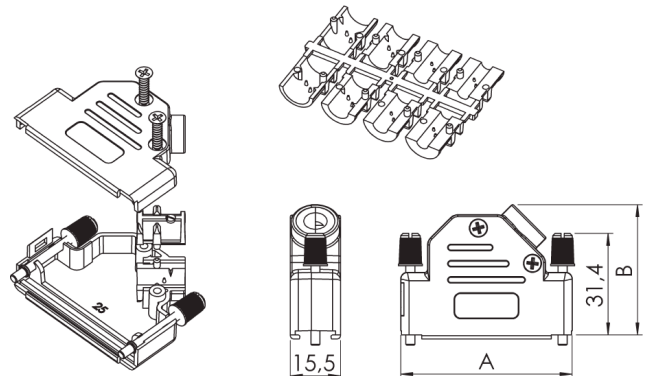
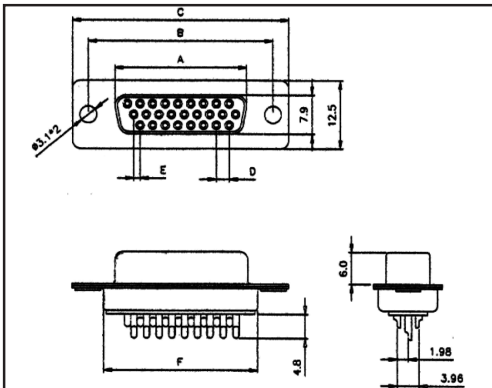
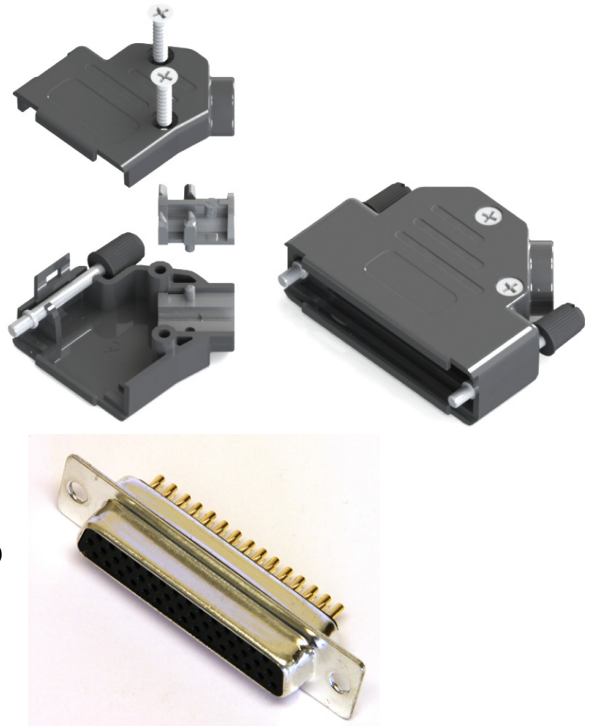
| | |
|----------------------|---|
| Material: | Polycarbonate UL94 V-0 |
| Temperature range: | -55°C to +105°C |
| Cable strain relief: | Grommets 4,5,7 and 9mm, Polycarbonate UL94 V-0 |
| Cable diameter: | 3.0 - 13.0 mm |
| Locking screws: | UNC4-40 and M3.0 long jackscrews with moulded plastic knob for colour coding. M2.5 and M2.6 solid metal jackscrews. |
| Cable outlet: | Angled |

FEMALE HIGH DENSITY CONNECTOR SOLDER CUP, STAMPED

| | |
|-------------------------|--|
| Insulator: | Glass filled Polyester, Black UL94 V-0 |
| Shell: | Stamped Steel, Tin Plated |
| Contact pins: | Copper Alloy |
| Machined pins: | 100 inserts min. |
| Contact plating: | Selective Gold over Nickel |
| Contact current rating: | 2 Amps max |
| Contact resistance: | 25mΩ max |
| Operating temperature: | -55°C to +105°C |
| Withstanding voltage: | 500V AC for 1 minute |
| Insulator resistance: | 500MΩ min (At 500V DC) |

FEMALE HIGH DENSITY CONNECTOR SOLDER CUP, MACHINED

| | |
|-------------------------|--|
| Insulator: | Glass filled Polyester, Black UL94 V-0 |
| Shell: | Stamped Steel, Tin Plated |
| Contact pins: | Copper Alloy |
| Machined pins: | 500 inserts min. |
| Contact plating: | Selective Gold over Nickel |
| Contact current rating: | 5 Amps max |
| Contact resistance: | 25mΩ max |
| Operating temperature: | -55°C to +105°C |
| Withstanding voltage: | 1000V AC for 1 minute |
| Insulator resistance: | 1000MΩ min (At 500V DC) |



| Size | A | B | C | D | E | F |
|------|-------|-------|------|------|------|------|
| HD15 | 16,30 | 25,00 | 30,8 | 2,29 | 1,14 | 19,2 |
| HD26 | 24,60 | 33,30 | 39,2 | 2,29 | 1,14 | 27,7 |
| HD44 | 38,30 | 47,10 | 53,1 | 2,29 | 1,14 | 41,1 |
| HD62 | 54,80 | 63,50 | 69,4 | 2,41 | 1,20 | 57,3 |

| Size | Dim A | Dim B |
|--------|-------|-------|
| 9-way | 31,0 | 36,2 |
| 15-way | 39,3 | 40,2 |
| 25-way | 53,0 | 40,2 |
| 37-way | 69,5 | 40,2 |

HOOD + STAMPED ECONOMY CONTACT CONNECTOR

| Size | Product Code |
|--------|--------------------|
| 9-way | OS-DVPK9-HDBS15-K |
| 15-way | OS-DVPK15-HDB26S-K |
| 25-way | OS-DVPK25-HDB44S-K |
| 37-way | OS-DVPK37-HDB62S-K |

HOOD + MACHINED HIGH QUALITY CONTACT CONNECTOR

| Size | Product Code |
|--------|--------------------|
| 9-way | OS-DVPK9-HDM15S-K |
| 15-way | OS-DVPK15-HDM26S-K |
| 25-way | OS-DVPK25-HDM44S-K |
| 37-way | OS-DVPK37-HDM62S-K |