

METPLAS SCREW TOGETHER D HOOD + HIGH DENSITY SOLDER MALE

TECHNICAL SPECIFICATIONS

D-SUB HOOD, METPLAS SCREW TOGETHER, BLACK

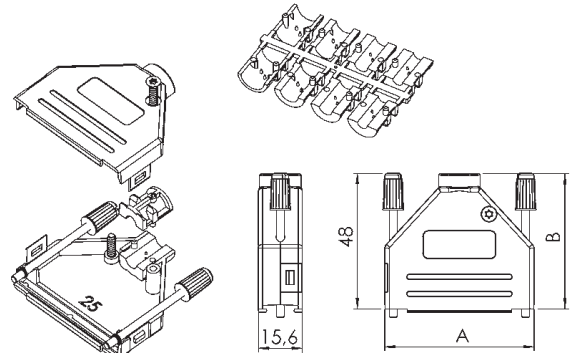
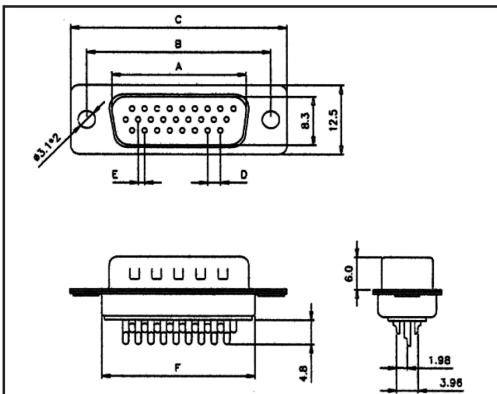
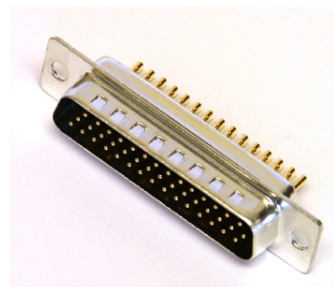
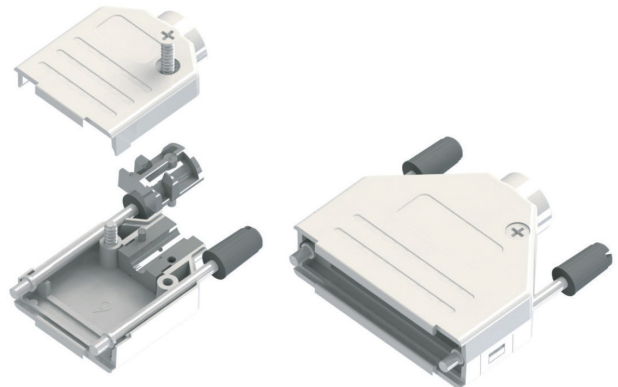
Material: ABS Plastic, Ni-plated
 Temperature range: -40°C to +110°C
 Cable strain relief: Polycarbonate, PC UL94 V-0
 Cable diameter: 3.0 - 13.0 mm
 Locking screws: Long jackscrews with moulded top for colour coding
 Cable outlet: Straight
 Attenuation factor: >40 dB between 30MHz and 1 GHz

MALE HIGH DENSITY CONNECTOR SOLDER CUP, STAMPED

Insulator: Glass filled Polyester, Black UL94 V-0
 Shell: Stamped Steel, Tin Plated
 Contact pins: Copper Alloy
 Machined pins: 100 inserts min.
 Contact plating: Selective Gold over Nickel
 Contact current rating: 2 Amps max
 Contact resistance: 25mΩ max
 Operating temperature: -55°C to +105°C
 Withstanding voltage: 500V AC for 1 minute
 Insulator resistance: 500MΩ min (At 500V DC)

MALE HIGH DENSITY CONNECTOR SOLDER CUP, MACHINED

Insulator: Glass filled Polyester, Black UL94 V-0
 Shell: Stamped Steel, Tin Plated
 Contact pins: Copper Alloy
 Machined pins: 500 inserts min.
 Contact plating: Selective Gold over Nickel
 Contact current rating: 5 Amps max
 Contact resistance: 25mΩ max
 Operating temperature: -55°C to +105°C
 Withstanding voltage: 1000V AC for 1 minute
 Insulator resistance: 1000MΩ min (At 500V DC)



Size	A	B	C	D	E	F
HD15	16,92	25,00	30,8	2,29	1,14	19,2
HD26	25,25	33,30	39,2	2,29	1,14	27,7
HD44	38,96	47,10	53,1	2,29	1,14	41,1
HD62	55,42	63,50	69,4	2,41	1,20	57,3

Size	Dim A	Dim B
9-way	31,0	38,3
15-way	39,3	40,5
25-way	53,0	47,8
37-way	69,5	52,2

HOOD + STAMPED ECONOMY CONTACT CONNECTOR

Size	Product Code
9-way	OS-DTPMK9-HDB15P-K
15-way	OS-DTPMK15-HDB26P-K
25-way	OS-DTPMK25-HDB44P-K
37-way	OS-DTPMK37-HDB62P-K

HOOD + MACHINED HIGH QUALITY CONTACT CONNECTOR

Size	Product Code
9-way	OS-DTPMK9-HDM15P-K
15-way	OS-DTPMK15-HDM26P-K
25-way	OS-DTPMK25-HDM44P-K
37-way	OS-DTPMK37-HDM62P-K