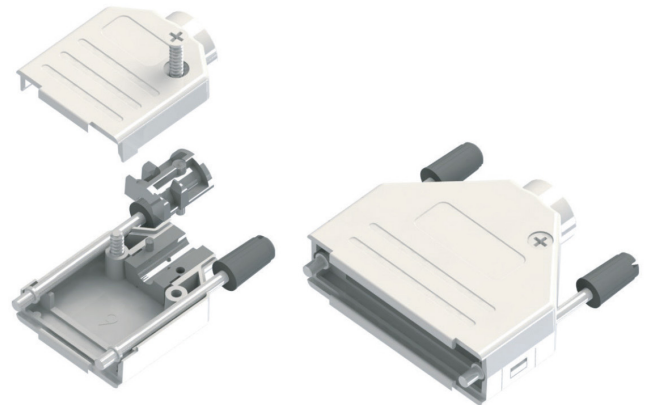


### METPLAS SCREW TOGETHER D HOOD + D-SUB SOLDER FEMALE

#### TECHNICAL SPECIFICATIONS

##### D-SUB HOOD, METPLAS SCREW TOGETHER, BLACK

Material: ABS Plastic, Ni-plated  
 Temperature range: -40°C to +110°C  
 Cable strain relief: Polycarbonate, PC UL94 V-0  
 Cable diameter: 3.0 - 13.0 mm  
 Locking screws: Long jackscrews with moulded top for colour coding  
 Cable outlet: Straight  
 Attenuation factor: >40 dB between 30MHz and 1 GHz



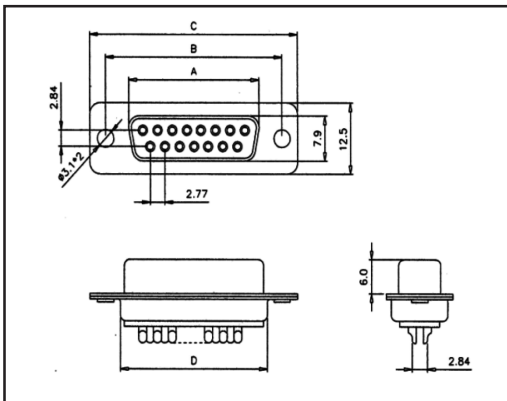
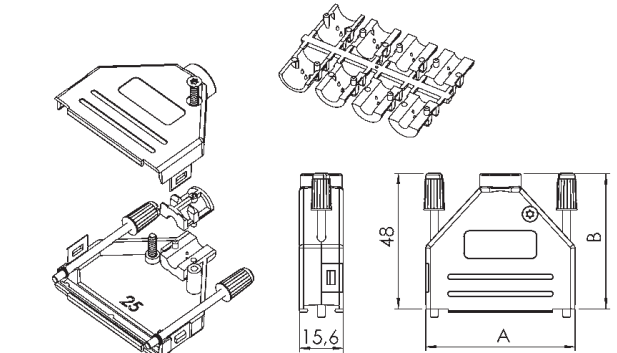
##### FEMALE D-SUB CONNECTOR SOLDER CUP, STAMPED

Insulator: Glass filled Polyester, Black UL94 V-0  
 Shell: Stamped Steel, Tin Plated  
 Contact Pins: Copper Alloy  
 Stamped and Formed Pins: Class 3, 100 inserts min. (DB)  
 Contact Plating: Selective Gold over Nickel  
 Contact resistance rating: 2 Amps max  
 Operating temperature: 10mΩ max  
 Withstanding voltage: -55°C to +105°C  
 Insulator resistance: 1000V AC for 1 minute 1000MΩ min



##### FEMALE D-SUB CONNECTOR SOLDER CUP, MACHINED

Insulator: Glass filled Polyester, Black UL94 V-0  
 Shell: Stamped Steel, Tin Plated  
 Contact pins: Copper Alloy  
 Machined pins: Class 1, 500 inserts min. (DM)  
 Contact plating: Selective Gold over Nickel  
 Contact current rating: 5 Amps max  
 Contact resistance: 25mΩ max  
 Operating temperature: -55°C to +105°C  
 Withstanding voltage: 1000V AC for 1 minute  
 Insulator resistance: 1000MΩ min



Size	A	B	C	D
9-way	16,30	25,00	30,8	19,2
15-way	24,60	33,30	39,2	27,7
25-way	38,30	47,10	53,1	41,1
37-way	54,80	63,50	69,4	57,3

Size	Dim A	Dim B
9-way	31,0	38,3
15-way	39,3	40,5
25-way	53,0	47,8
37-way	69,5	52,2

#### HOOD + STAMPED ECONOMY CONTACT CONNECTOR

Size	Product Code
9-way	OS-DTPMK9-DB9S-K
15-way	OS-DTPMK15-DB15S-K
25-way	OS-DTPMK25-DB25S-K
37-way	OS-DTPMK37-DB37S-K

#### HOOD + MACHINED HIGH QUALITY CONTACT CONNECTOR

Size	Product Code
9-way	OS-DTPMK9-DM9S-K
15-way	OS-DTPMK15-DM15S-K
25-way	OS-DTPMK25-DM25S-K
37-way	OS-DTPMK37-DM37S-K