

METAL SCREW TOGETHER D HOOD + D-SUB SOLDER MALE

TECHNICAL SPECIFICATIONS

D-SUB HOOD, METAL SCREW TOGETHER, NICKEL

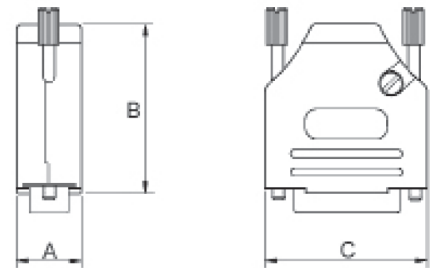
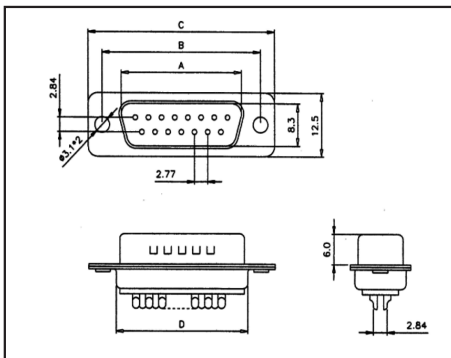
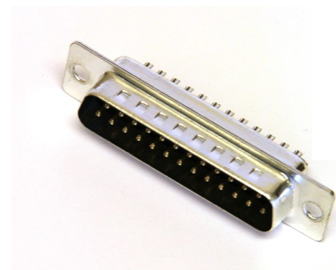
Material: Zinc, Nickel plated
 Operating temperature: -40°C to +120°C
 Cable entry: Top
 Thumbscrews: UNC 4-40 (standard)
 M2.5, M2.6 or M3.0 on request
 Cable diameter: From 4.3 mm Up to 13.0 mm

MALE D-SUB CONNECTOR SOLDER CUP, STAMPED

Insulator: Glass filled Polyester, Black UL94 V-0
 Shell: Stamped Steel, Tin Plated
 Contact Pins: Copper Alloy
 Stamped and Formed Pins: Class 3, 100 inserts min. (DB)
 Contact Plating: Selective Gold over Nickel
 Contact resistance rating: 2 Amps max
 Operating temperature: 10mΩ max
 Withstanding voltage: -55°C to +105°C
 Insulator resistance: 1000V AC for 1 minute 1000MΩ min

MALE D-SUB CONNECTOR SOLDER CUP, MACHINED

Insulator: Glass filled Polyester, Black UL94 V-0
 Shell: Stamped Steel, Tin Plated
 Contact pins: Copper Alloy
 Machined pins: Class 1, 500 inserts min. (DM)
 Contact plating: Selective Gold over Nickel
 Contact current rating: 5 Amps max
 Contact resistance: 25mΩ max
 Operating temperature: -55°C to +105°C
 Withstanding voltage: 1000V AC for 1 minute
 Insulator resistance: 1000MΩ min



Size	A	B	C	D
9-way	16,92	25,00	30,8	19,2
15-way	25,25	33,30	39,2	27,7
25-way	38,96	47,10	53,1	41,1
37-way	55,42	63,50	69,4	57,3

Size	Dim A	Dim B	Dim C
9-way	15,0	39,9	31,2
15-way	15,0	41,5	39,5
25-way	15,0	48,6	53,4
37-way	15,0	53,6	69,7

HOOD + STAMPED ECONOMY CONTACT CONNECTOR

Size	Product Code
9-way	DTZK9-DB9P-K
15-way	DTZK15-DB15P-K
25-way	DTZK25-DB25P-K
37-way	DTZK37-DB37P-K

HOOD + MACHINED HIGH QUALITY CONTACT CONNECTOR

Size	Product Code
9-way	DTZK9-DM9P-K
15-way	DTZK15-DM15P-K
25-way	DTZK25-DM25P-K
37-way	DTZK37-DM37P-K