

### METAL SCREW TOGETHER D HOOD + HIGH DENSITY SOLDER FEMALE

#### TECHNICAL SPECIFICATIONS

##### D-SUB HOOD, METAL SCREW TOGETHER, BLACK

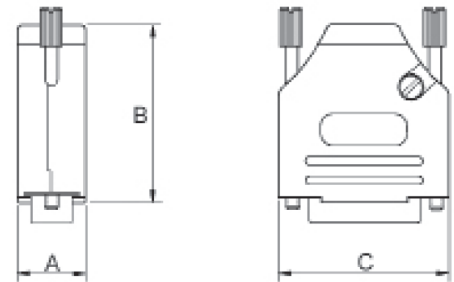
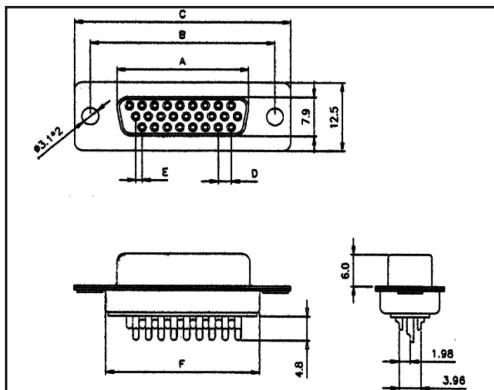
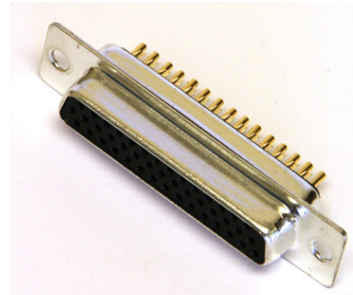
Material: Zinc, Nickel plated  
 Operating temperature: -40°C to +120°C  
 Cable entry: Top  
 Thumbscrews: UNC 4-40 (standard)  
 M2.5, M2.6 or M3.0 on request  
 Cable diameter: From 4.3 mm Up to 13.0 mm

##### FEMALE HIGH DENSITY CONNECTOR SOLDER CUP, STAMPED

Insulator: Glass filled Polyester, Black UL94 V-0  
 Shell: Stamped Steel, Tin Plated  
 Contact pins: Copper Alloy  
 Machined pins: 100 inserts min.  
 Contact plating: Selective Gold over Nickel  
 Contact current rating: 2 Amps max  
 Contact resistance: 25mΩ max  
 Operating temperature: -55°C to +105°C  
 Withstanding voltage: 500V AC for 1 minute  
 Insulator resistance: 500MΩ min (At 500V DC)

##### FEMALE HIGH DENSITY CONNECTOR SOLDER CUP, MACHINED

Insulator: Glass filled Polyester, Black UL94 V-0  
 Shell: Stamped Steel, Tin Plated  
 Contact pins: Copper Alloy  
 Machined pins: 500 inserts min.  
 Contact plating: Selective Gold over Nickel  
 Contact current rating: 5 Amps max  
 Contact resistance: 25mΩ max  
 Operating temperature: -55°C to +105°C  
 Withstanding voltage: 1000V AC for 1 minute  
 Insulator resistance: 1000MΩ min (At 500V DC)



Size	A	B	C	D	E	F
HD15	16,30	25,00	30,8	2,29	1,14	19,2
HD26	24,60	33,30	39,2	2,29	1,14	27,7
HD44	38,30	47,10	53,1	2,29	1,14	41,1
HD62	54,80	63,50	69,4	2,41	1,20	57,3

Size	Dim A	Dim B	Dim C
9-way	15,0	39,9	31,2
15-way	15,0	41,5	39,5
25-way	15,0	48,6	53,4
37-way	15,0	53,6	69,7

#### HOOD + STAMPED ECONOMY CONTACT CONNECTOR

Size	Product Code
9-way	DTZK9-HDB15S-K
15-way	DTZK15-HDB26S-K
25-way	DTZK25-HDB44S-K
37-way	DTZK37-HDB62S-K

#### HOOD + MACHINED HIGH QUALITY CONTACT CONNECTOR

Size	Product Code
9-way	DTZK9-HDM15S-K
15-way	DTZK15-HDM26S-K
25-way	DTZK25-HDM44S-K
37-way	DTZK37-HDM62S-K