

METAL SCREW TOGETHER D HOOD + D-SUB SOLDER FEMALE

TECHNICAL SPECIFICATIONS

D-SUB HOOD, METAL SCREW TOGETHER, NICKEL

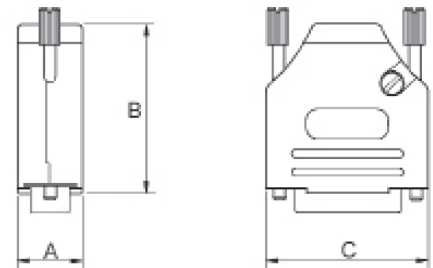
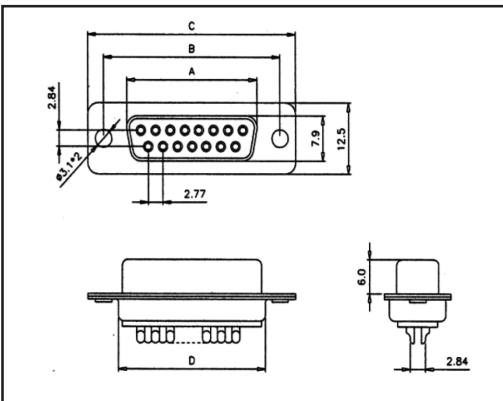
Material:	Zinc, Nickel plated
Operating temperature:	-40°C to +120°C
Cable entry:	Top
Thumbscrews:	UNC 4-40 (standard) M2.5, M2.6 or M3.0 on request
Cable diameter:	From 4.3 mm Up to 13.0 mm

FEMALE D-SUB CONNECTOR SOLDER CUP, STAMPED

Insulator:	Glass filled Polyester, Black UL94 V-0
Shell:	Stamped Steel, Tin Plated
Contact Pins:	Copper Alloy
Stamped and Formed Pins:	Class 3, 100 inserts min. (DB)
Contact Plating:	Selective Gold over Nickel
Contact resistance rating:	2 Amps max
Operating temperature:	10mΩ max
Withstanding voltage:	-55°C to +105°C
Insulator resistance:	1000V AC for 1 minute 1000MΩ min

FEMALE D-SUB CONNECTOR SOLDER CUP, MACHINED

Insulator:	Glass filled Polyester, Black UL94 V-0
Shell:	Stamped Steel, Tin Plated
Contact pins:	Copper Alloy
Machined pins:	Class 1, 500 inserts min. (DM)
Contact plating:	Selective Gold over Nickel
Contact current rating:	5 Amps max
Contact resistance:	25mΩ max
Operating temperature:	-55°C to +105°C
Withstanding voltage:	1000V AC for 1 minute
Insulator resistance:	1000MΩ min



Size	A	B	C	D
9-way	16,30	25,00	30,8	19,2
15-way	24,60	33,30	39,2	27,7
25-way	38,30	47,10	53,1	41,1
37-way	54,80	63,50	69,4	57,3

Size	Dim A	Dim B	Dim C
9-way	15,0	39,9	31,2
15-way	15,0	41,5	39,5
25-way	15,0	48,6	53,4
37-way	15,0	53,6	69,7

HOOD + STAMPED ECONOMY CONTACT CONNECTOR

Size	Product Code
9-way	DTZK9-DB9S-K
15-way	DTZK15-DB15S-K
25-way	DTZK25-DB25S-K
37-way	DTZK37-DB37S-K

HOOD + MACHINED HIGH QUALITY CONTACT CONNECTOR

Size	Product Code
9-way	DTZK9-DM9S-K
15-way	DTZK15-DM15S-K
25-way	DTZK25-DM25S-K
37-way	DTZK37-DM37S-K