

### PLASTIC SNAP TOGETHER D HOOD + D-SUB SOLDER FEMALE

#### TECHNICAL SPECIFICATIONS

##### D-SUB HOOD, PLASTIC SNAP TOGETHER, BLACK

Material:	Nylon UL94 V-2
Temperature range:	-55°C to 105°C
Cable strain relief:	Cable clamp with self-tapping screws
Cable diameter:	3.0 - 11.0 mm
Locking screws:	Long jackscrews with moulded top for colour coding
Cable outlet:	Straight

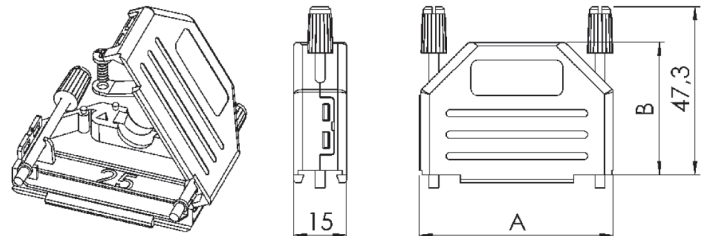
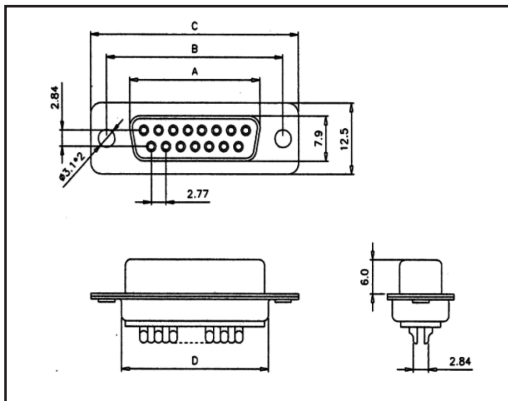
##### FEMALE D-SUB CONNECTOR SOLDER CUP, STAMPED

Insulator:	Glass filled Polyester, Black UL94 V-0
Shell:	Stamped Steel, Tin Plated
Contact Pins:	Copper Alloy
Stamped and Formed Pins:	Class 3, 100 inserts min. (DB)
Contact Plating:	Selective Gold over Nickel
Contact resistance rating:	2 Amps max
Operating temperature:	10mΩ max
Withstanding voltage:	-55°C to +105°C
Insulator resistance:	1000V AC for 1 minute 1000MΩ min



##### FEMALE D-SUB CONNECTOR SOLDER CUP, MACHINED

Insulator:	Glass filled Polyester, Black UL94 V-0
Shell:	Stamped Steel, Tin Plated
Contact pins:	Copper Alloy
Machined pins:	Class 1, 500 inserts min. (DM)
Contact plating:	Selective Gold over Nickel
Contact current rating:	5 Amps max
Contact resistance:	25mΩ max
Operating temperature:	-55°C to +105°C
Withstanding voltage:	1000V AC for 1 minute
Insulator resistance:	1000MΩ min



Size	A	B	C	D
9-way	16,30	25,00	30,8	19,2
15-way	24,60	33,30	39,2	27,7
25-way	38,30	47,10	53,1	41,1
37-way	54,80	63,50	69,4	57,3
50-way	52,20	61,00	67,0	55,1

Size	Dim A	Dim B	Dim C
9-way	32,4	31,3	15,0
15-way	40,7	30,8	15,0
25-way	54,4	37,3	15,0
37-way	70,9	36,0	15,0
50-way	67,5	40,0	15,0

#### HOOD + STAMPED ECONOMY CONTACT CONNECTOR

Size	Product Code
9-way	DPPK09-BK-DB9S-K
15-way	DPPK15-BK-DB15S-K
25-way	DPPK25-BK-DB25S-K
37-way	DPPK37-BK-DB37S-K
50-way	DPPK50-BK-DB50S-K

#### HOOD + MACHINED HIGH QUALITY CONTACT CONNECTOR

Size	Product Code
9-way	DPPK09-BK-DM9S-K
15-way	DPPK15-BK-DM15S-K
25-way	DPPK25-BK-DM25S-K
37-way	DPPK37-BK-DM37S-K
50-way	DPPK50-BK-DM50S-K