

### METAL SCREW TOGETHER 45° D HOOD + D-SUB SOLDER MALE

#### TECHNICAL SPECIFICATIONS

##### D-SUB 45° HOOD, METAL SCREW TOGETHER, NICKEL

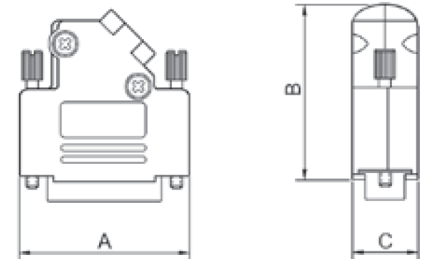
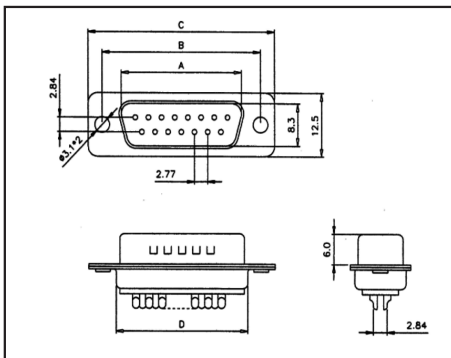
Material:	Zinc, Nickel Plated
Operating temperature:	-40°C to +120°C
Cable entry:	45° Side Entry
Thumbscrews:	UNC 4-40 (standard)
	M2.5, M2.6 or M3.0 on request Up to
Cable diameter:	13mm (Size 9-37)
	Up to 17mm (Size 50)

##### MALE D-SUB CONNECTOR SOLDER CUP, STAMPED

Insulator:	Glass filled Polyester, Black UL94 V-0
Shell:	Stamped Steel, Tin Plated
Contact Pins:	Copper Alloy
Stamped and Formed Pins:	Class 3, 100 inserts min. (DB)
Contact Plating:	Selective Gold over Nickel
Contact resistance rating:	2 Amps max
Operating temperature:	10mΩ max
Withstanding voltage:	-55°C to +105°C
Insulator resistance:	1000V AC for 1 minute 1000MΩ min

##### MALE D-SUB CONNECTOR SOLDER CUP, MACHINED

Insulator:	Glass filled Polyester, Black UL94 V-0
Shell:	Stamped Steel, Tin Plated
Contact pins:	Copper Alloy
Machined pins:	Class 1, 500 inserts min. (DM)
Contact plating:	Selective Gold over Nickel
Contact current rating:	5 Amps max
Contact resistance:	25mΩ max
Operating temperature:	-55°C to +105°C
Withstanding voltage:	1000V AC for 1 minute
Insulator resistance:	1000MΩ min



Size	A	B	C	D
9-way	16,92	25,00	30,8	19,2
15-way	25,25	33,30	39,2	27,7
25-way	38,96	47,10	53,1	41,1
37-way	55,42	63,50	69,4	57,3
50-way	52,81	61,00	67,0	55,1

Size	Dim A	Dim B	Dim C
9-way	31,0	36,3	14,5
15-way	39,5	40,3	14,5
25-way	53,2	40,3	14,5
37-way	69,7	40,3	14,5
50-way	67,4	44,9	17,4

#### HOOD + STAMPED ECONOMY CONTACT CONNECTOR

Size	Product Code
9-way	D45ZK9-DB9P-K
15-way	D45ZK15-DB15P-K
25-way	D45ZK25-DB25P-K
37-way	D45ZK37-DB37P-K
50-way	D45ZK50-DB50P-K

#### HOOD + MACHINED HIGH QUALITY CONTACT CONNECTOR

Size	Product Code
9-way	D45ZK9-DM9P-K
15-way	D45ZK15-DM15P-K
25-way	D45ZK25-DM25P-K
37-way	D45ZK37-DM37P-K
50-way	D45ZK50-DM50P-K