

METAL SCREW TOGETHER 45° D HOOD + HIGH DENSITY SOLDER FEMALE

TECHNICAL SPECIFICATIONS

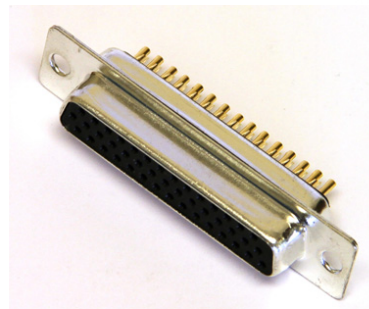
D-SUB 45° HOOD, METAL SCREW TOGETHER, NICKEL

Material: Zinc, Nickel Plated
 Operating temperature: -40°C to +120°C
 Cable entry: 45° Side Entry
 Thumbscrews: UNC 4-40 (standard)
 M2.5, M2.6 or M3.0 on request Up to
 Cable diameter: 13mm (Size 9-37)
 Up to 17mm (Size 50)



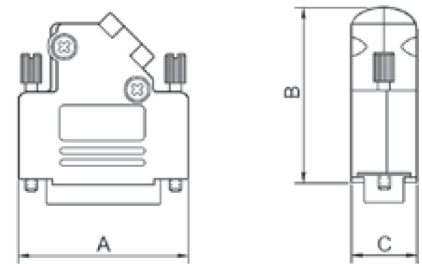
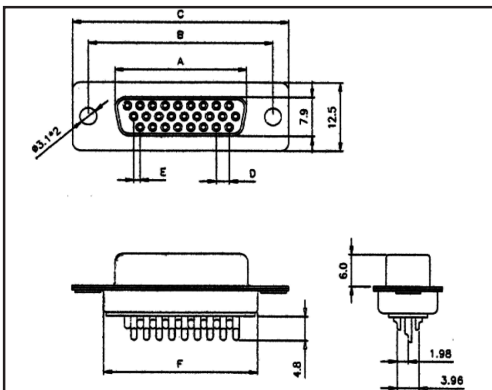
FEMALE HIGH DENSITY CONNECTOR SOLDER CUP, STAMPED

Insulator: Glass filled Polyester, Black UL94 V-0
 Shell: Stamped Steel, Tin Plated
 Contact pins: Copper Alloy
 Machined pins: 100 inserts min.
 Contact plating: Selective Gold over Nickel
 Contact current rating: 2 Amps max
 Contact resistance: 25mΩ max
 Operating temperature: -55°C to +105°C
 Withstanding voltage: 500V AC for 1 minute
 Insulator resistance: 500MΩ min (At 500V DC)



FEMALE HIGH DENSITY CONNECTOR SOLDER CUP, MACHINED

Insulator: Glass filled Polyester, Black UL94 V-0
 Shell: Stamped Steel, Tin Plated
 Contact pins: Copper Alloy
 Machined pins: 500 inserts min.
 Contact plating: Selective Gold over Nickel
 Contact current rating: 5 Amps max
 Contact resistance: 25mΩ max
 Operating temperature: -55°C to +105°C
 Withstanding voltage: 1000V AC for 1 minute
 Insulator resistance: 1000MΩ min (At 500V DC)



Size	A	B	C	D	E	F
HD15	16,30	25,00	30,8	2,29	1,14	19,2
HD26	24,60	33,30	39,2	2,29	1,14	27,7
HD44	38,30	47,10	53,1	2,29	1,14	41,1
HD62	54,80	63,50	69,4	2,41	1,20	57,3
HD78	52,20	61,00	67,0	2,41		55,1

Size	Dim A	Dim B	Dim C
9-way	31,0	36,3	14,5
15-way	39,5	40,3	14,5
25-way	53,2	40,3	14,5
37-way	69,7	40,3	14,5
50-way	67,4	44,9	17,4

HOOD + STAMPED ECONOMY CONTACT CONNECTOR

Size	Product Code
9-way	D45ZK9-HDB15S-K
15-way	D45ZK15-HDB26S-K
25-way	D45ZK25-HDB44S-K
37-way	D45ZK37-HDB62S-K
50-way	D45ZK50-HDB78S-K

HOOD + MACHINED HIGH QUALITY CONTACT CONNECTOR

Size	Product Code
9-way	D45ZK9-HDM15S-K
15-way	D45ZK15-HDM26S-K
25-way	D45ZK25-HDM44S-K
37-way	D45ZK37-HDM62S-K
50-way	D45ZK50-HDM78S-K