

### METAL SCREW TOGETHER 45° D HOOD + D-SUB SOLDER FEMALE

#### TECHNICAL SPECIFICATIONS

##### D-SUB 45° HOOD, METAL SCREW TOGETHER, NICKEL

Material: Zinc, Nickel Plated  
 Operating temperature: -40°C to +120°C  
 Cable entry: 45° Side Entry  
 Thumbscrews: UNC 4-40 (standard)  
 M2.5, M2.6 or M3.0 on request Up to  
 Cable diameter: 13mm (Size 9-37)  
 Up to 17mm (Size 50)



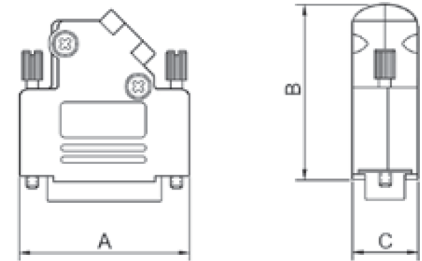
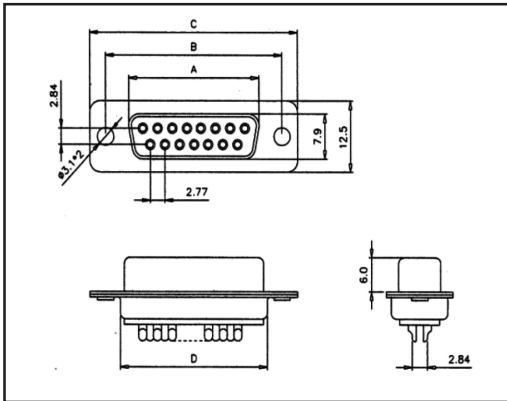
##### FEMALE D-SUB CONNECTOR SOLDER CUP, STAMPED

Insulator: Glass filled Polyester, Black UL94 V-0  
 Shell: Stamped Steel, Tin Plated  
 Contact Pins: Copper Alloy  
 Stamped and Formed Pins: Class 3, 100 inserts min. (DB)  
 Contact Plating: Selective Gold over Nickel  
 Contact resistance rating: 2 Amps max  
 Operating temperature: 10mΩ max  
 Withstanding voltage: -55°C to +105°C  
 Insulator resistance: 1000V AC for 1 minute 1000MΩ min



##### FEMALE D-SUB CONNECTOR SOLDER CUP, MACHINED

Insulator: Glass filled Polyester, Black UL94 V-0  
 Shell: Stamped Steel, Tin Plated  
 Contact pins: Copper Alloy  
 Machined pins: Class 1, 500 inserts min. (DM)  
 Contact plating: Selective Gold over Nickel  
 Contact current rating: 5 Amps max  
 Contact resistance: 25mΩ max  
 Operating temperature: -55°C to +105°C  
 Withstanding voltage: 1000V AC for 1 minute  
 Insulator resistance: 1000MΩ min



Size	A	B	C	D
9-way	16,30	25,00	30,8	19,2
15-way	24,60	33,30	39,2	27,7
25-way	38,30	47,10	53,1	41,1
37-way	54,80	63,50	69,4	57,3
50-way	52,20	61,00	67,0	55,1

Size	Dim A	Dim B	Dim C
9-way	31,0	36,3	14,5
15-way	39,5	40,3	14,5
25-way	53,2	40,3	14,5
37-way	69,7	40,3	14,5
50-way	67,4	44,9	17,4

#### HOOD + STAMPED ECONOMY CONTACT CONNECTOR

Size	Product Code
9-way	D45ZK9-DB9S-K
15-way	D45ZK15-DB15S-K
25-way	D45ZK25-DB25S-K
37-way	D45ZK37-DB37S-K
50-way	D45ZK50-DB50S-K

#### HOOD + MACHINED HIGH QUALITY CONTACT CONNECTOR

Size	Product Code
9-way	D45ZK9-DM9S-K
15-way	D45ZK15-DM15S-K
25-way	D45ZK25-DM25S-K
37-way	D45ZK37-DM37S-K
50-way	D45ZK50-DM50S-K