


**SP  
11**

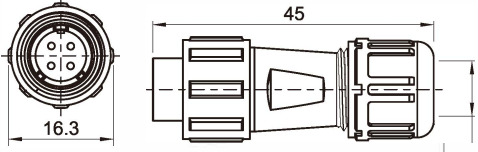
**SP11 Series**

**Cable connector**  
Mate with SP1111, SP1112




**SP1110/P--N**    **SP1110/S--N**

Male contact      Number of contact  
Female contact



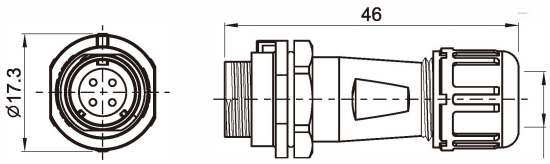
Cable outer diameter range: 4-6.5mm

**In-line cable connector**  
Mate with SP1110




**SP1111/P--**    **SP1111/S--**

C: with cap  
N: without cap  
Number of contact



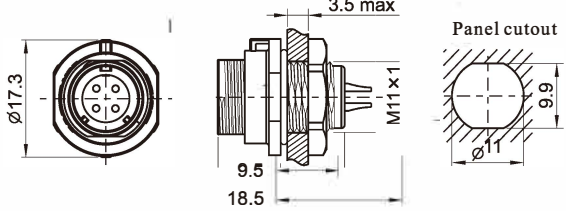
Cable outer diameter range: 4-6.5mm

**Rear-nut mount**  
Mate with SP1110



**SP1112/P--**    **SP1112/S--**

C: with cap  
N: without cap  
Number of contact



**Solder contact spec**

Number of contact	2	3	4	5
Male contact face view				
Rated current (A)	5	5	3	3
Contact diameter(mm)	Ø1×2	Ø1×3	Ø0.7×4	Ø0.7×5
Rated voltage (AC.V)	180	180	125	125
Test voltage(AC.V) 1 min	1000	1000	1000	1000
Contact resistance(mΩ)	5	5	10	10
Wire size(mm²/AWG)	≤0.75/18	≤0.75/18	≤0.5/20	≤0.5/20