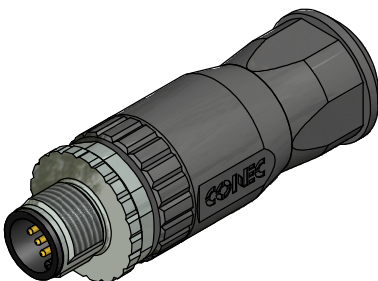
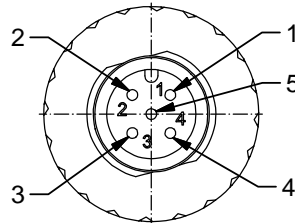
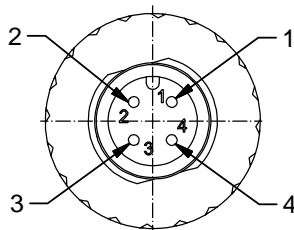


A-coding

4pos

5pos



**Technical specification:**

Rated voltage: IEC 61076-2-101	4pos 5pos 250 V 60 V
Current rating: IEC 61076-2-101	7,5 A bei 40°C, with 1,5 mm <sup>2</sup>
Insulation resistance: IEC 60512	>=100 MΩ
Pollution degree: IEC 60664-1	3/2
Degree of protection: IEC 60529	IP 67, in mated condition
Temperature range:	-30°C ... +85°C
Mating cycles: IEC 60512-9a	>=100
Wire cross section:	max. AWG16 / max. 1,5 mm <sup>2</sup> (incl. sleeve)

**Materials:**

Contact:	CuZn
Contact plating:	Au over Ni
Contact carrier:	PA6, UL 94
Cable seal:	Elastomere
O-Ring:	FPM / NBR
Coupling screw:	GD-Zn, Ni plated
Housing:	PA6 GF, UL 94

**Installation specification:**

Recommended torque:	0,6 Nm
Conec installation tooling:	Torque wrench: 36-000200 Insert across flats 18: 36-000240
Recommended torque, screw termination contact:	0,3 Nm

Part no:	Description:	Pos:	Cable-Ø:
43-00100	SAL - 12 - RSC4 - S / 150	4	4 - 8 mm
43-00102	SAL - 12 - RSC5 - S / 150	5	4 - 8 mm

DO NOT ALTER CAD DRAWING BY HAND  
Directive 2002/95/EC RoHS compliant

Index: c 17.03.14 BS Ä5133  
data sheet a. description modified



	date	name
drawn	19.01.09	Burschik
appd.	19.01.09	Schmidt

title: **Male connector M12x1,  
field attachable, axial,  
screw connection**

dwg no:

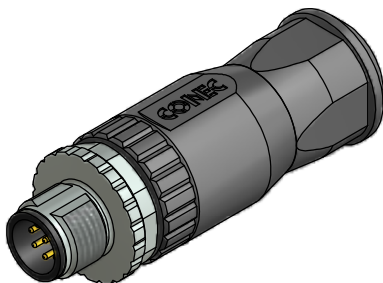
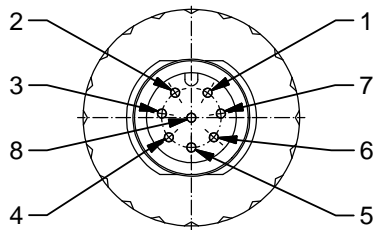
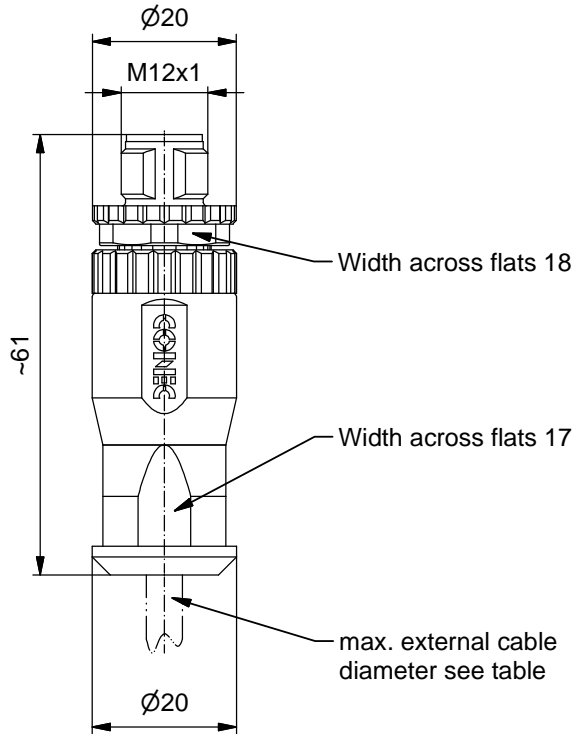
**43K1A836**

part no: **see table**

general tolerance: 0 ± 0,50mm  
0,0 ± 0,25mm  
0,00 ± 0,10mm



THIS DRAWING MAY NOT BE COPIED OR REPRODUCED IN ANY WAY, AND MAY NOT BE PASSED ON TO A THIRD PARTY WITHOUT WRITTEN PERMISSION. OWNERSHIP AND COPYRIGHT OF CONEC GmbH



**Technical specification:**

Rated voltage: IEC 61076-2-101	30 V
Current rating: IEC 61076-2-101	2 A at 40°C
Insulation resistance: IEC 60512-2	>=100 MΩ
Pollution degree: IEC 60664-1	3/2
Degree of protection: IEC 60529	IP 67, in mated condition
Temperature range:	-30°C ... +85°C
Mating cycles: IEC 60512-9a	>=100
Wire cross section:	AWG20 / max. 0,5 mm²

**Materials:**

Contact:	CuZn
Contact plating:	Nickel, gold plated
Contact carrier:	PA6, UL 94
Contact screw:	Steel, zinc plated
Cable sealing:	Elastomere
O-Ring:	NBR
Coupling screw:	GD-Zn, nickel plated
Housing:	PA6 GF, UL 94

**Installation specification:**

Recommended torque:	0,6 Nm
Conec installation tooling:	Torque wrench: 36-000200 Insert across flats 18: 36-000240

Part no:	Description:	Cable-Ø:
43-00132	SAL - 12 - RSC8 - S	4 - 8 mm

DO NOT ALTER CAD DRAWING BY HAND Directive 2002/95/EC RoHS compliant	dim. in mm		title: <b>Male connector M12x1, 8pos, field attachable, axial, with screw connection</b>  dwg no:  <b>43K1A2194</b>  part no: <b>see table</b>	
		date		name
	drawn	16.10.13		Mankopf
	appd.	16.10.13		Franz
general tolerance:	0 ± 0,50mm 0,0 ± 0,25mm 0,00 ± 0,10mm			
THIS DRAWING MAY NOT BE COPIED OR REPRODUCED IN ANY WAY, AND MAY NOT BE PASSED ON TO A THIRD PARTY WITHOUT WRITTEN PERMISSION. OWNERSHIP AND COPYRIGHT OF CONEC GmbH				