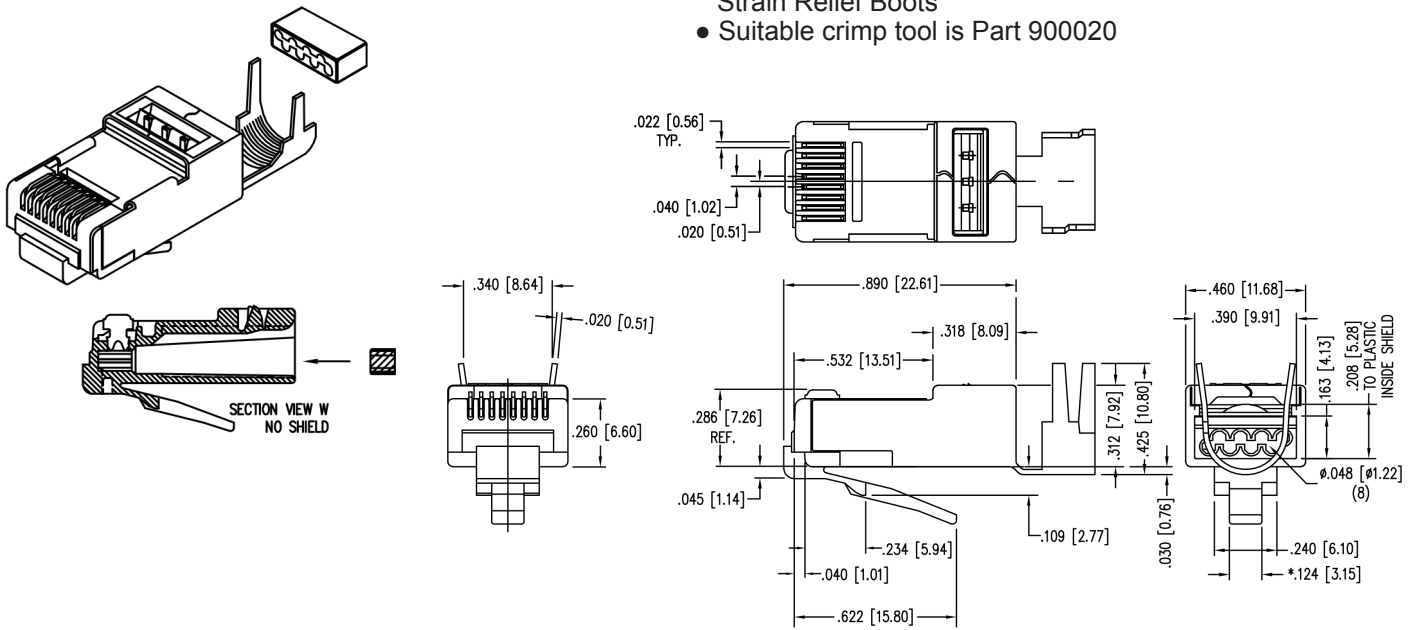


LARGER ENTRY CAT 6/6A MODULAR PLUGS

Designed for use with AWG23 (0.56mm) conductor cables. Product complete with shielded connector body, with integral crimp ferrule and management bars. Suitable for cables with overall diameter 6.86mm to 7.49mm.

PRODUCT CODE 111S-08080090H34 TECHNICAL SPECIFICATION

- Use for solid or stranded conductors
- Meets or exceeds Category 6 & 6A ANSI/EIA 568-C 2
- 50 micro inch plating
- Suitable for use with MBS Connect SRB-B00 Series Strain Relief Boots
- Suitable crimp tool is Part 900020



PRODUCT CODE SS-39200-030 TECHNICAL SPECIFICATION

- Use for solid or stranded conductors
- Designed for Category 6 & 6A Applications
- Supplied complete with Black Strain Relief Boot
- Suitable crimp tool is Part 2980078-01

