

SCREW TOGETHER HOODS TOP ENTRY

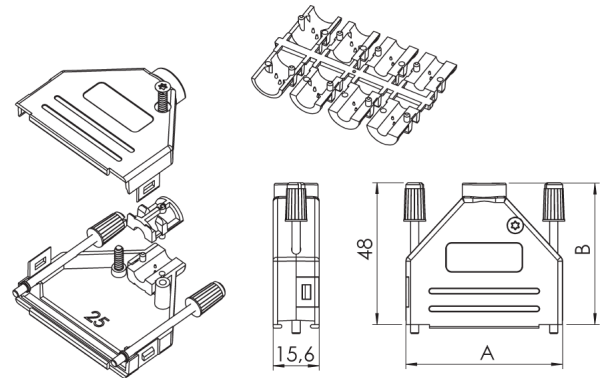
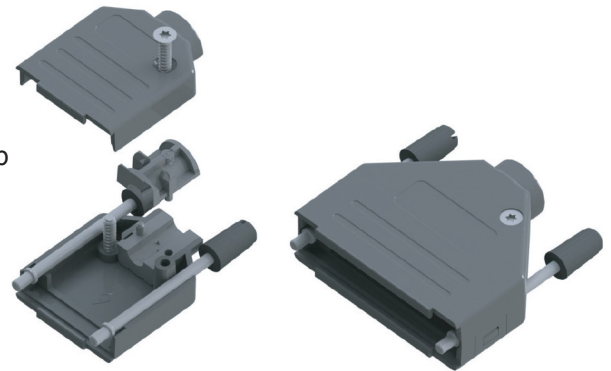
OS-DTPPK SERIES

TECHNICAL SPECIFICATIONS

Material: Polycarbonate UL94 V-0
 Temperature range: -55°C to +105°C
 Cable strain relief: Grommets 4,5,7 and 9mm, Polycarbonate UL94 V-0
 Cable diameter: 3.0 - 13.0 mm
 Locking screws: Long jackscrews with moulded plastic knob for colour coding. UNC4-40 as standard. M2.5, M2.6 and M3.0 are optional
 Cable outlet: Straight

FEATURES

- Available in sizes 9-15-25-37
- Lightweight and cost effective
- Compact and attractive design
- Re-openable
- Company logotype available upon request
- Long jackscrews with UNC 4-40 thread as standard, M2.5, M2.6 or M3.0 are optional
- For custom designed solutions, please consult factory
- Other colours available on request



Size	Product Code
9-way	OS-DTPPK9-K
15-way	OS-DTPPK15-K
25-way	OS-DTPPK25-K
37-way	OS-DTPPK37-K

Size	Dim A	Dim B
9-way	31,0	38,3
15-way	39,3	40,5
25-way	53,0	47,8
37-way	69,5	52,2

SCREW TOGETHER HOODS 45° ENTRY

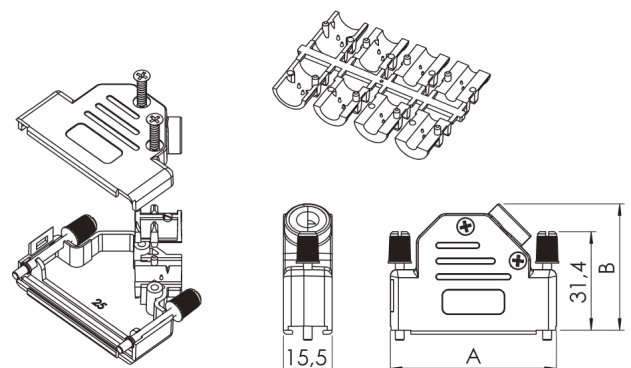
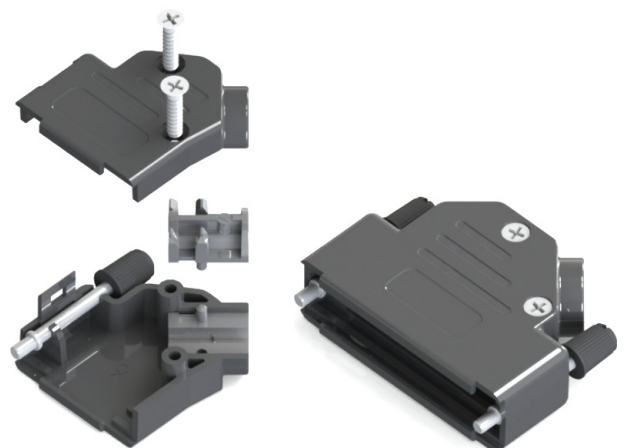
OS-DVPK SERIES

TECHNICAL SPECIFICATIONS

Material: Polycarbonate UL94 V-0
 Temperature range: -55°C to +105°C
 Cable strain relief: Grommets 4,5,7 and 9mm, Polycarbonate UL94 V-0
 Cable diameter: 3.0 - 13.0 mm
 Locking screws: UNC4-40 and M3.0 long jackscrews with moulded plastic knob for colour coding. M2.5 and M2.6 solid metal jackscrews.
 Cable outlet: Angled

FEATURES

- Available in sizes 9-15-25-37
- Lightweight and cost effective
- Compact and attractive design
- Re-openable
- Company logotype available upon request
- Long jackscrews with UNC 4-40 thread as standard, M2.5, M2.6 or M3.0 are optional
- For custom designed solutions, please consult factory
- Other colours available on request



Size	Product Code
9-way	OS-DVPK9-K
15-way	OS-DVPK15-K
25-way	OS-DVPK25-K
37-way	OS-DVPK37-K

Size	Dim A	Dim B
9-way	31,0	36,2
15-way	39,3	40,2
25-way	53,0	40,2
37-way	69,5	40,2