

SCREW TOGETHER HOODS TOP ENTRY

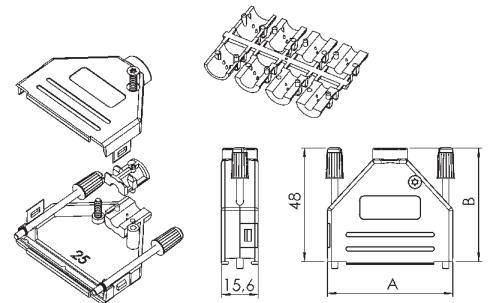
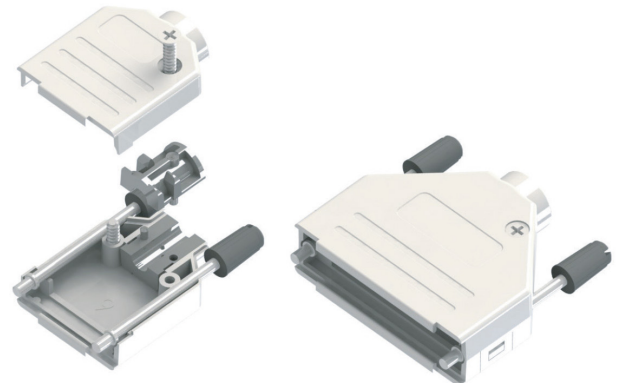
OS-DTPMK SERIES

TECHNICAL SPECIFICATIONS

Material: ABS Plastic, Ni-plated
 Temperature range: -40°C to +110°C
 Cable strain relief: Polycarbonate, PC UL94 V-0
 Cable diameter: 3.0 - 13.0 mm
 Locking screws: Long jackscrews with moulded top for colour coding
 Cable outlet: Straight
 Attenuation factor: >40 dB between 30 MHz and 1 GHz

FEATURES

- Available in sizes 9-15-25-37
- Minimise interference from electromagnetic and RF sources
- Non-static parts avoid ESD problems
- Accept round foil and braided cable types
- Approved according VDE 0871, FCC 20780 and 89/336/EU
- Company logotype available upon request
- Long jackscrews with UNC 4-40 thread as standard M2.5, M2.6 or M3.0 as option
- For custom designed solutions, please consult factory



Size	Product Code
9-way	OS-DTPMK9-K
15-way	OS-DTPMK15-K
25-way	OS-DTPMK25-K
37-way	OS-DTPMK37-K

Size	Dim A	Dim B
9-way	31,0	38,3
15-way	39,3	40,5
25-way	53,0	47,8
37-way	69,5	52,2

SCREW TOGETHER HOODS 45° ENTRY

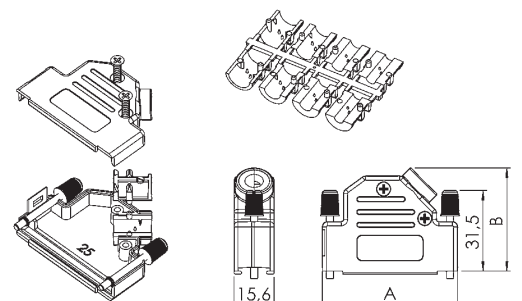
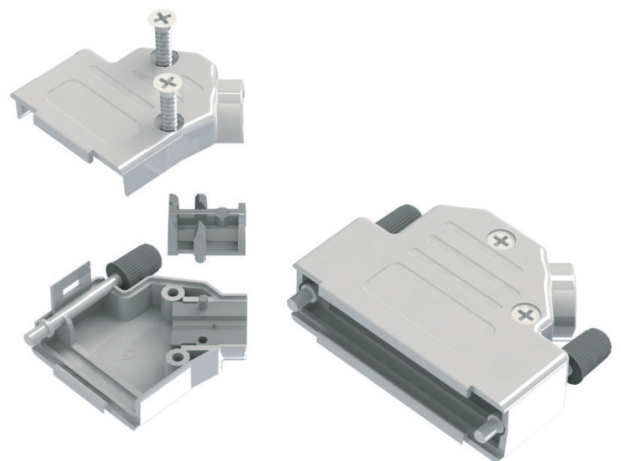
OS-DVPMK SERIES

TECHNICAL SPECIFICATIONS

Material: ABS Plastic, Ni-plated
 Temperature range: -40°C to +110°C
 Cable strain relief: Polycarbonate, PC UL94 V-0
 Cable diameter: 3.0 - 13.0 mm
 Locking screws: Long jackscrews with moulded top for colour coding
 Cable outlet: Angled
 Attenuation factor: >40 dB between 30 MHz and 1 GHz

FEATURES

- Available in sizes 9-15-25-37
- Minimise interference from electromagnetic and RF sources
- Non-static parts avoid ESD problems
- Accept round foil and braided cable types
- Approved according VDE 0871, FCC 20780 and 89/336/EU
- Company logotype available upon request
- Long jackscrews with UNC 4-40 thread as standard M2.5, M2.6 or M3.0 as option
- For custom designed solutions, please consult factory



Size	Product Code
9-way	OS-DVPMK9-K
15-way	OS-DVPMK15-K
25-way	OS-DVPMK25-K
37-way	OS-DVPMK37-K

Size	Dim A	Dim B
9-way	31,0	36,2
15-way	39,3	40,2
25-way	53,0	40,2
37-way	69,5	40,2