

**Technical specification:**

|                                     |                           |
|-------------------------------------|---------------------------|
| Rated voltage:<br>IEC 61076-2-101   | 4pos<br>250 V             |
| Current rating:<br>IEC 61076-2-101  | 4 A at 40°C               |
| Insulation resistance:<br>IEC 60512 | >=100 MΩ                  |
| Pollution degree:<br>IEC 60664-1    | 3/2                       |
| Degree of protection:<br>IEC 60529  | IP 67, in mated condition |
| Temperature range:<br>IEC 60664-1   | -30°C ... +80°C           |
| Mating cycles:<br>IEC 60512-9a      | >=100                     |

**Materials:**

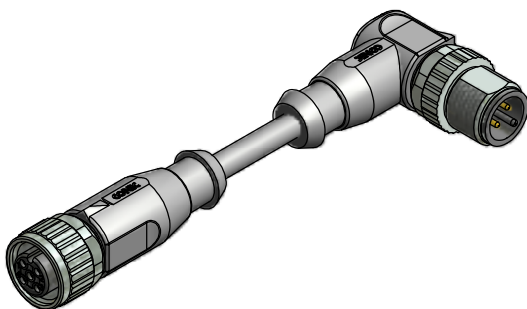
|                         |                      |
|-------------------------|----------------------|
| Contact:                | CuZn                 |
| Contact plating:        | Nickel, gold plated  |
| Contact carrier:        | TPU GF, UL 94        |
| Sealing:                | FPM                  |
| Coupling nut/<br>screw: | GD-Zn, nickel plated |
| Moulding body:          | TPU, UL 94, grey     |

**Installation specification:**

|                          |                                                                     |
|--------------------------|---------------------------------------------------------------------|
| Recommended torque:      | 0,6 Nm                                                              |
| Conec installation tool: | Torque wrench:<br>36-000200<br>Insert across flats 13:<br>36-000220 |

**Contact assignment:**

- 1) brown
- 2) white
- 3) blue
- 4) black



| Part no: | Description:                             | Length L: | Cable:                                       |
|----------|------------------------------------------|-----------|----------------------------------------------|
| 43-14605 | SAL - 12 - RK4 - RSW4 - 0,3 / A1 / A1090 | 0,3m      | PVC,<br>grey, 4x0,34mm²<br>Cable: 781-A13400 |
| 43-14606 | SAL - 12 - RK4 - RSW4 - 0,6 / A1 / A1090 | 0,6m      |                                              |
| 43-14607 | SAL - 12 - RK4 - RSW4 - 1,5 / A1 / A1090 | 1,5m      |                                              |
| 43-14608 | SAL - 12 - RK4 - RSW4 - 3,0 / A1 / A1090 | 3m        |                                              |
| 43-xxxxx | SAL - 12 - RK4 - RSW4 - ... / A1 / A1090 | x         |                                              |

D see data sheet cable

| DO NOT ALTER CAD DRAWING BY HAND<br>Directive 2002/95/EC RoHS compliant                                                                                                 | dim. in mm                                                                                                                                                                                                                                                                             |                           | title:<br><b>Connecting cable M12x1, female<br/>connector axial - male connector<br/>angled</b> |  |      |      |       |          |       |       |          |         |
|-------------------------------------------------------------------------------------------------------------------------------------------------------------------------|----------------------------------------------------------------------------------------------------------------------------------------------------------------------------------------------------------------------------------------------------------------------------------------|---------------------------|-------------------------------------------------------------------------------------------------|--|------|------|-------|----------|-------|-------|----------|---------|
|                                                                                                                                                                         | <table border="1" style="width: 100%; border-collapse: collapse;"> <thead> <tr> <th></th> <th>date</th> <th>name</th> </tr> </thead> <tbody> <tr> <td>drawn</td> <td>17.01.11</td> <td>Franz</td> </tr> <tr> <td>appd.</td> <td>17.01.11</td> <td>Mankopf</td> </tr> </tbody> </table> |                           |                                                                                                 |  | date | name | drawn | 17.01.11 | Franz | appd. | 17.01.11 | Mankopf |
|                                                                                                                                                                         |                                                                                                                                                                                                                                                                                        | date                      | name                                                                                            |  |      |      |       |          |       |       |          |         |
|                                                                                                                                                                         | drawn                                                                                                                                                                                                                                                                                  | 17.01.11                  | Franz                                                                                           |  |      |      |       |          |       |       |          |         |
| appd.                                                                                                                                                                   | 17.01.11                                                                                                                                                                                                                                                                               | Mankopf                   |                                                                                                 |  |      |      |       |          |       |       |          |         |
| tolerance of cable: L ≤ 4m: L + 40mm<br>L > 4m: L + 1%                                                                                                                  |                                                                                                                                                                                                                                                                                        | part no:<br><br>see table |                                                                                                 |  |      |      |       |          |       |       |          |         |
| THIS DRAWING MAY NOT BE COPIED OR REPRODUCED IN ANY WAY, AND MAY NOT BE PASSED ON TO A THIRD PARTY WITHOUT WRITTEN PERMISSION.<br>OWNERSHIP AND COPYRIGHT OF CONEC GmbH |                                                                                                                                                                                                                                                                                        |                           |                                                                                                 |  |      |      |       |          |       |       |          |         |