

MACHINED CONTACT, SOLDER, HIGH DENSITY PROFILE

TECHNICAL SPECIFICATIONS

Insulator: Glass filled Polyester, Black
UL94 V-0

Shell: Stamped Steel, Tin Plated

Contact pins: Copper Alloy

Machined Pins: 500 inserts min.

Contact Plating: Selective Gold over Nickel

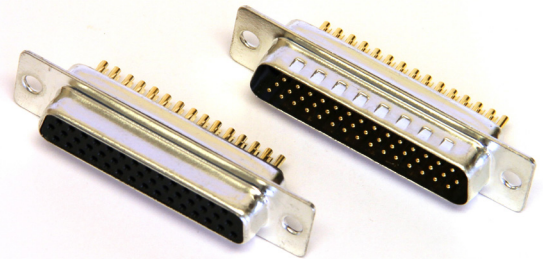
Contact current rating: 5 Amps max

Contact resistance: 25mΩ max

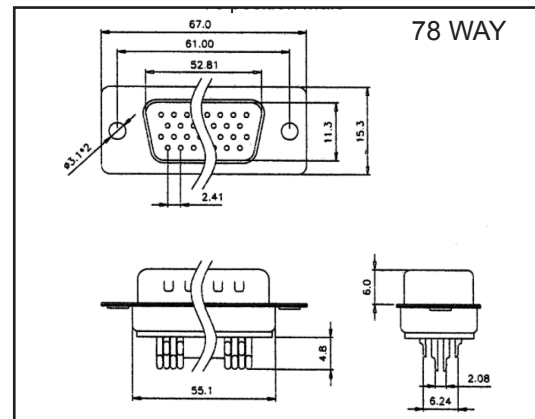
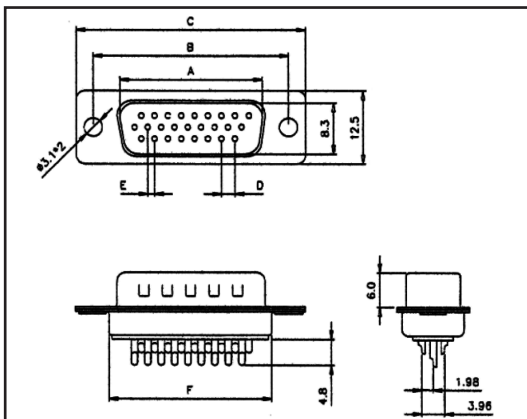
Operating temperature: -55°C to +105°C

Withstanding voltage: 1000V AC for 1 minute

Insulator resistance: 1000MΩ min (At 500V DC)



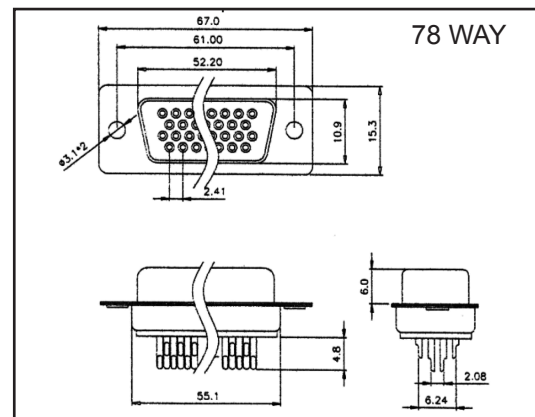
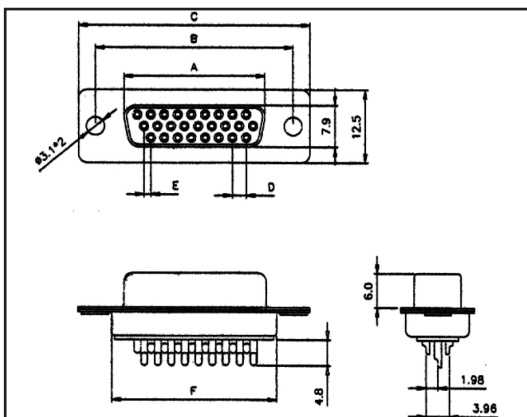
MALE



Size	A	B	C	D	E	F
HD15	16,92	25,00	30,8	2,29	1,14	19,2
HD26	25,25	33,30	39,2	2,29	1,14	27,7
HD44	38,96	47,10	53,1	2,29	1,14	41,1
HD62	55,42	63,50	69,4	2,41	1,20	57,3

Size	Plug
HD15	HDS15-M-T-B-M
HD26	HDS26-M-T-B-M
HD44	HDS44-M-T-B-M
HD62	HDS62-M-T-B-M
HD78	HDS78-M-T-B-M

FEMALE



Size	A	B	C	D	E	F
HD15	16,30	25,00	30,8	2,29	1,14	19,2
HD26	24,60	33,30	39,2	2,29	1,14	27,7
HD44	38,30	47,10	53,1	2,29	1,14	41,1
HD62	54,80	63,50	69,4	2,41	1,20	57,3

Size	Socket
HD15	HDS15-F-T-B-M
HD26	HDS26-F-T-B-M
HD44	HDS44-F-T-B-M
HD62	HDS62-F-T-B-M
HD78	HDS78-F-T-B-M