

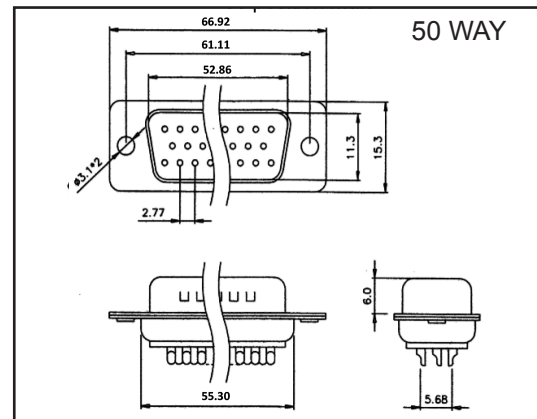
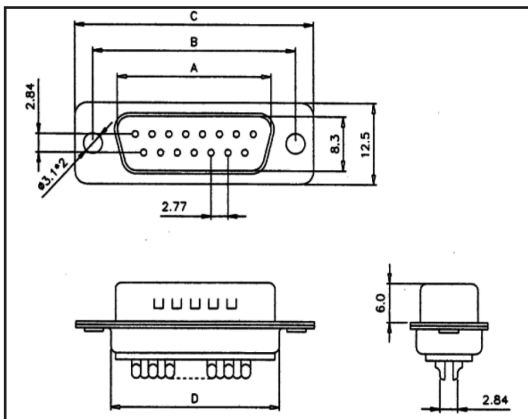
MACHINED CONTACT, SOLDER, STANDARD PROFILE

TECHNICAL SPECIFICATIONS

Insulator:	Glass filled Polyester, Black UL94 V-0
Shell:	Stamped Steel, Tin Plated
Contact pins:	Copper Alloy
Machined Pins:	Class 1, 500 inserts min. (DM)
Contact Plating:	Selective Gold over Nickel
Contact current rating:	5 Amps max
Contact resistance:	25mΩ max
Operating temperature:	-56°C to +105°C
Withstanding voltage:	1000V AC for 1 minute
Insulator resistance:	1000MΩ min



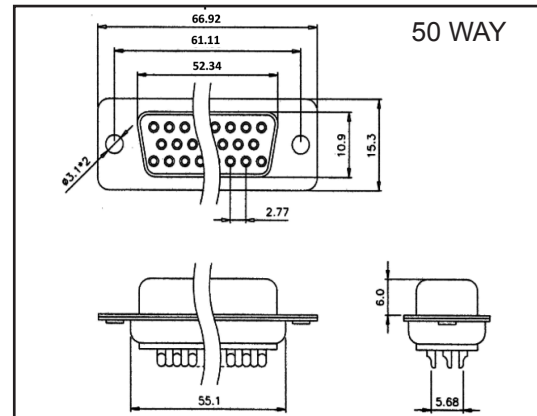
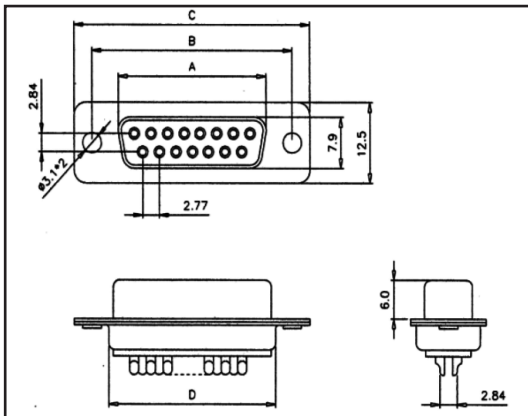
MALE



Size	A	B	C	D
9-way	16,92	24,99	30,81	19,23
15-way	25,25	33,32	39,14	27,56
25-way	38,96	47,04	53,04	41,30
37-way	55,42	63,50	69,32	57,30

Size	Plug
9-way	DM9SP
15-way	DM15SP
25-way	DM25SP
37-way	DM37SP
50-way	DM50SP

FEMALE



Size	A	B	C	D
9-way	16,33	24,99	30,81	19,28
15-way	24,66	33,32	39,14	27,51
25-way	38,38	47,04	53,04	41,30
37-way	54,84	63,50	69,32	57,71

Size	Socket
9-way	DM9SS
15-way	DM15SS
25-way	DM25SS
37-way	DM37SS
50-way	DM50SS