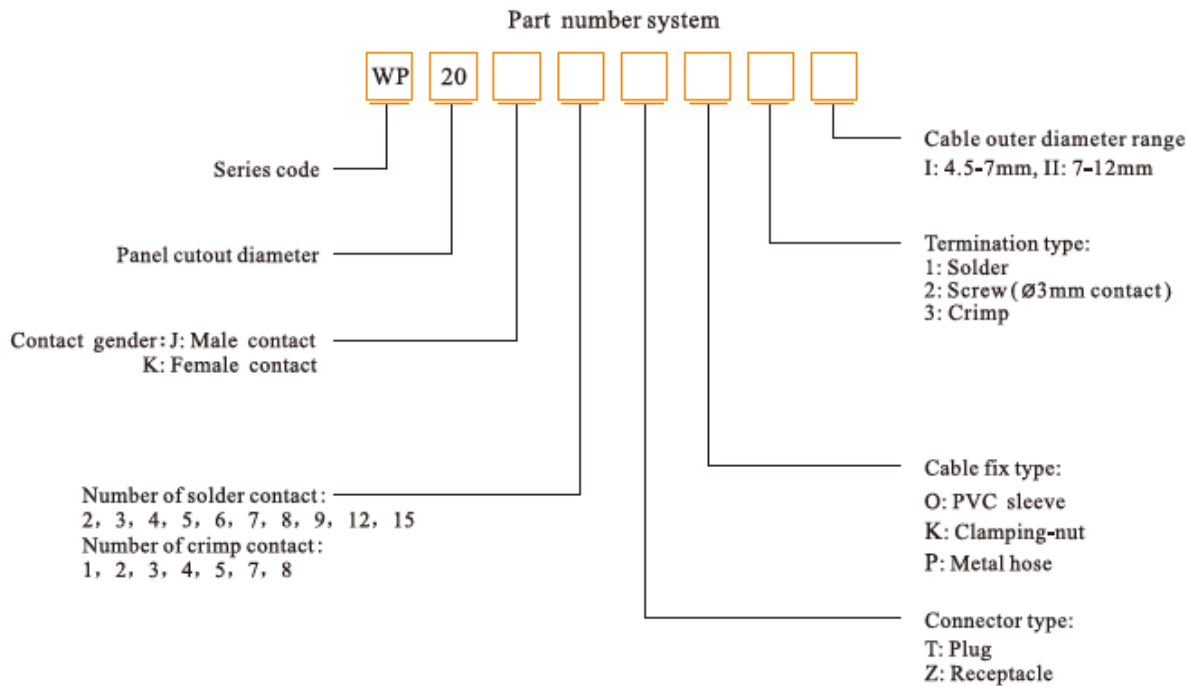




● **WP Series**



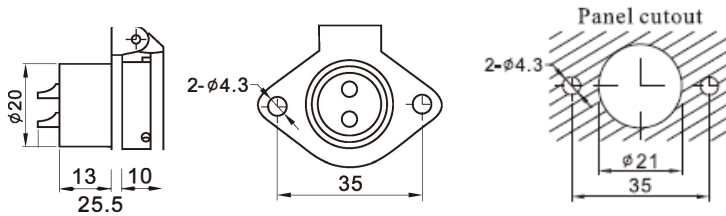
★ Each side can be male or female contact

Material and spec

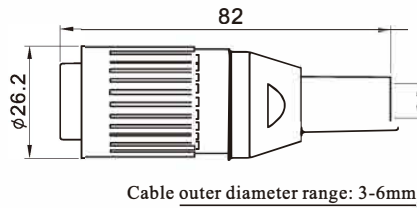
Coupling	Bayonet
Shell	Nylon 66 / Zinc alloy
Insert material	PPS, max temperature 260 °C
Contact material	Brass
Contact plating	Gold Plating
Termination	Solder: Ø1mm, Ø2mm, Ø3mm contact Screw: Ø3mm contact Crimp
Mating cycle	500
Temperature range	-40°C ~ +85°C



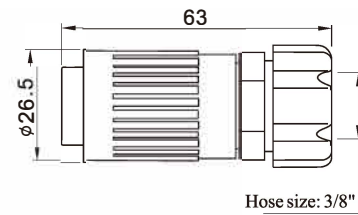
● Receptacle: Z IP44



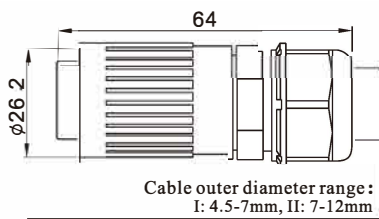
● PVC sleeve : TO



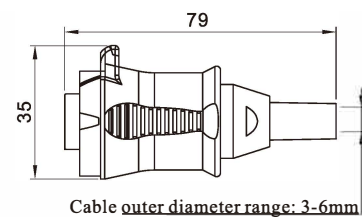
● Metal hose: TP



● Plastic clamping-nut: TK IP55



● Without bayonet: TO-G



Solder contact spec

Number of contact	2	3	4	5	5B	5C	6	6B	7	8	9	12	15
Male contact face view													
Rated current (A)	30	30	30	30	30	15	25	30	15	10	5	5	5
Contact diameter (mm)	∅3X2	∅3X3	∅3X4	∅3X5	∅3X2 ∅1X3	∅2X5	∅2.5X4 ∅1X2	∅3X2 ∅1X4	∅2X7	∅1.5X10	∅1X9	∅1X12	∅1X15
Rated voltage (AC.V)	500	500	500	500	500	500	500	500	500	500	400	400	400
Test voltage(AC.V) 1 min	1500	1500	1500	1500	1500	1500	1500	1500	1500	1500	1500	1200	1200
Contact resistance (mΩ)	1	1	1	1	1	2.5	1	1	2.5	2.5	5	5	5
Termination	solder / screw	solder / screw	solder / screw	solder / screw	solder	solder	solder	solder	solder	solder	solder	solder	solder
Wire size for solder (mm ² / AWG)	≤4/11	≤4/11	≤4/11	≤4/11	≤4/11 ≤0.75/18	≤2/14	≤4/11 ≤0.75/18	≤4/11 ≤0.75/18	≤2/14	≤2/14	≤0.75/18	≤0.75/18	≤0.75/18
Wire size for screw termination (mm ² / AWG)	≤1.5/15	≤1.5/15	≤1.5/15	≤1.5/15	/	/	/	/	/	/	/	/	/