

**SY11 Series**

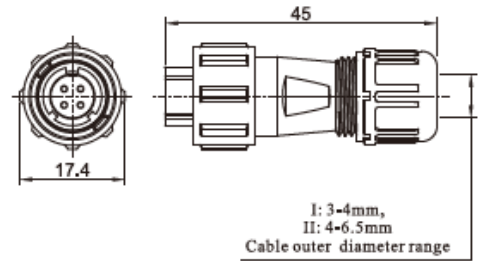


Cable connector  
Mate with SY1111,  
SY1111C, SY1112

**SY1110 / P**    **SY1110 / S**

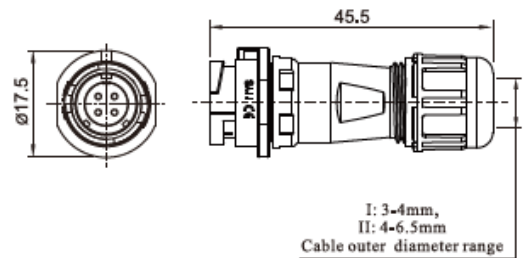
Male contact

Cable outer diameter range  
I: 3-4mm, II: 4-6.5mm  
Number of contact  
Female contact



In-line cable connector C  
Mate with SY1110

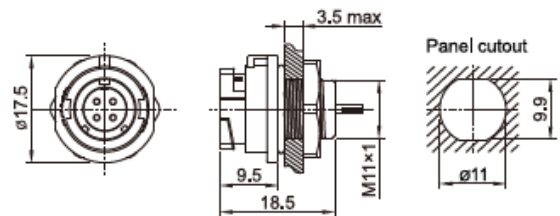
**SY1111C / P**    **SY1111C / S**



Rear-nut mount  
Mate with SY1110

**SY1112 / P**    **SY1112 / S**


Number of contact



**Solder contact spec**


Number of contact	2	3	4	5
Male contact face view				
Rated current (A)	5	5	3	3
Contact diameter(mm)	Ø1×2	Ø1×3	Ø0.7×4	Ø0.7×5
Rated voltage (AC.V)	180	180	125	125
Test voltage(AC.V) 1 min	1000	1000	1000	1000
Contact resistance(mΩ)	5	5	10	10
Wire size (mm²/AWG)	≤0.75/18	≤0.75/18	≤0.5/20	≤0.5/20

**SY11 Series**

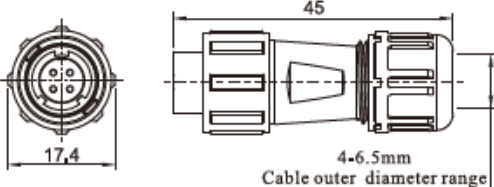



**SY1110/P**      **SY1110/S**

Male contact

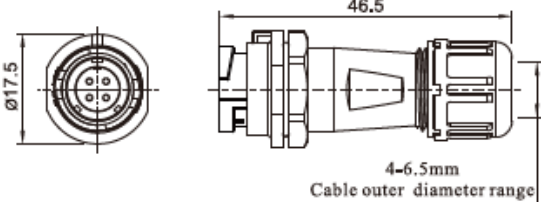

(CU):   
Colour: All black  
Number of contact  
Female contact

Cable connector  
Mate with SY1111, SY1112

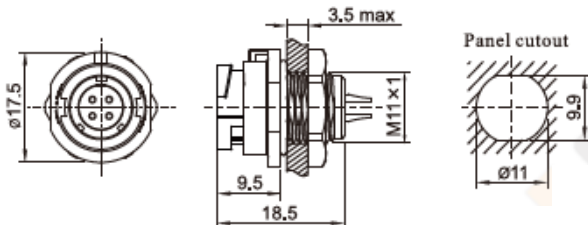
**SY1111/P**      **SY1111/S**

In-line cable connector  
Mate with SY1110






**SY1112/P**      **SY1112/S**

Rear-nut mount  
Mate with SY1110



**Solder contact spec**

Number of contact	4	5
Male contact face view		
Rated current (A)	3	3
Contact diameter(mm)	Ø0.7×4	Ø0.7×5
Rated voltage (AC.V)	125	125
Test voltage(AC.V) 1 min	1000	1000
Contact resistance(mΩ)	10	10
Wire size (AWG)	20	20