

C14 – C7 Power Lead



FEATURES:

- C14 – C7
- Fully Moulded Connectors
- Black
- Available length: 2m
- H03VVH2-F 2 x 0.75mm² Cable
- PVC



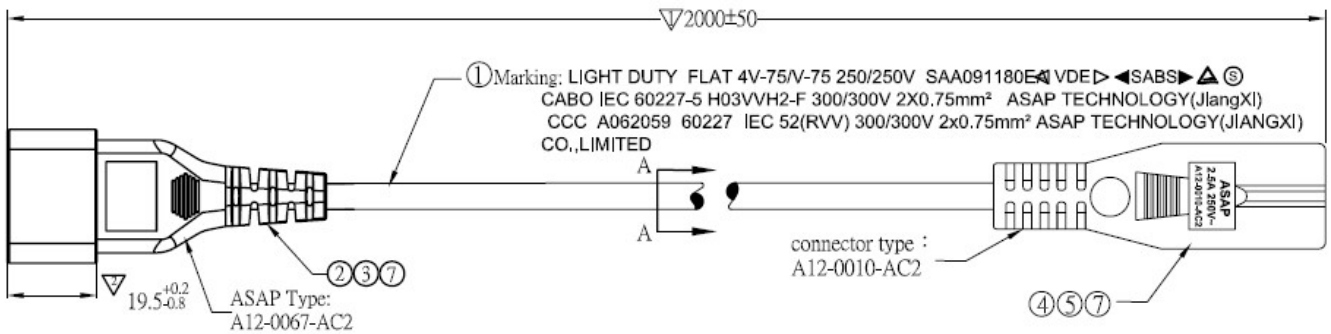
DESCRIPTION:

The C14 – C7 (Figure of 8) PVC cable is frequently used to provide power for lower current domestic electrical appliances, such as audio, video and radio equipment. The connectors are moulded to provide a high-quality cable which is perfect for office and/or comms room use.

SPECIFICATIONS:

Connector: C7	IEC 60320
Plug: C14	IEC 60320
Cable: H03VVH2-F 2 x 0.75mm ²	IEC 60227

TECHNICAL DRAWING:



ORDERING INFORMATION:

Part Code	Description
BC-C7-C14-2-BK	2m IEC C14 – IEC C7 Figure of 8 Black PVC 0.75mm Power Lead