

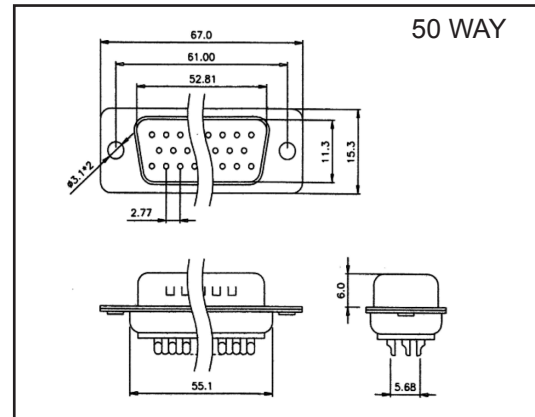
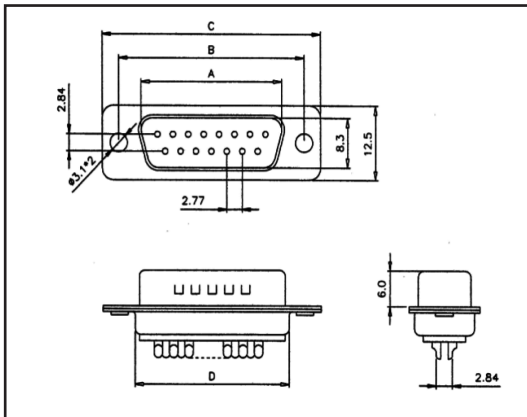
STAMPED & FORMED, SOLDER, STANDARD PROFILE

TECHNICAL SPECIFICATIONS

Insulator: Glass filled Polyester, Black UL94 V-0
 Shell: Stamped Steel, Tin Plated
 Contact pins: Copper Alloy
 Stamped and Formed Pins: Class 3, 100 inserts min. (DB)
 Contact Plating: Selective Gold over Nickel
 Contact current rating: 2 Amps max
 Contact resistance: 10mΩ max
 Operating temperature: -55°C to +105°C
 Withstanding voltage: 1000V AC for 1 minute
 Insulator resistance: 1000MΩ min



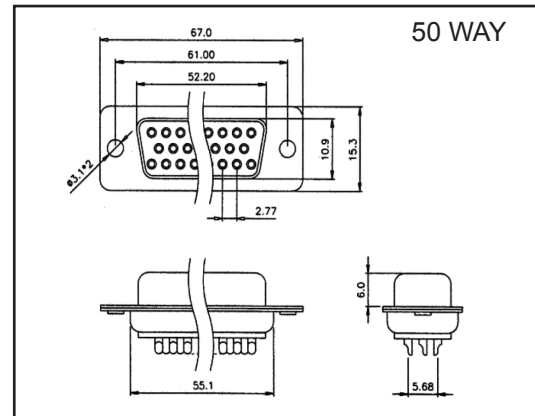
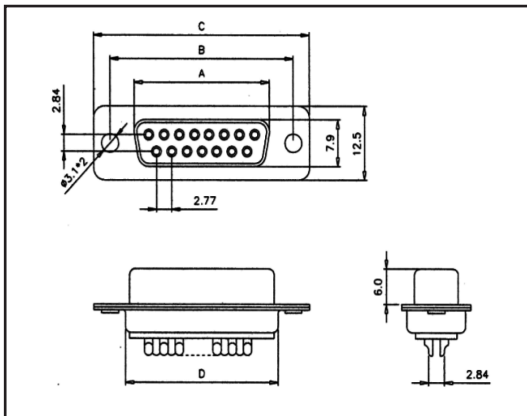
MALE



Size	A	B	C	D
9-way	16,92	25,00	30,8	19,2
15-way	25,25	33,30	39,2	27,7
25-way	38,96	47,10	53,1	41,1
37-way	55,42	63,50	69,4	57,3

Size	Plug
9-way	DB9SP
15-way	DB15SP
25-way	DB25SP
37-way	DB37SP
50-way	DB50SP

FEMALE



Size	A	B	C	D
9-way	16,30	25,00	30,8	19,2
15-way	24,60	33,30	39,2	27,7
25-way	38,30	47,10	53,1	41,1
37-way	54,80	63,50	69,4	57,3

Size	Socket
9-way	DB9SS
15-way	DB15SS
25-way	DB25SS
37-way	DB37SS
50-way	DB50SS